

INTERNATIONAL AEROBATIC CLUB SCORESHEET

A

Contest: U.S. National Championships	Date: 2015	Category: Advanced	Programme: Unknown2	pilot's number	
---	---------------	-----------------------	------------------------	-------------------	--

No	Symbol	Cat. No.	K	Total K	Grade	Remarks	Item	K	Score
1		5.2.1.1 9.1.1.3 9.9.5.3	17 10 11	38			Presentation	12	
2		5.3.1.1 9.1.1.1 9.8.5.1	18 6 3	27			FIGURE TOTAL K =		329
3		8.4.1.1 9.8.1.1 9.1.5.1	13 7 2	22			INC. PRESENTATION =		341
4		1.1.6.1 9.1.1.2	10 8	connect 6			Aircraft type:		
5		8.6.3.3 9.11.1.6 9.9.3.4 9.2.3.4	13 3 11 9	36					
6		7.2.3.4 9.1.3.1 9.1.3.3 9.1.3.8	9 2 6 12	29					
7		7.2.4.2 9.1.3.6 9.8.3.2 9.1.3.4	6 10 7 8	31					
8		1.2.3.1 9.4.2.2 9.1.5.3	12 7 6	25					
9		1.1.6.1 9.1.1.1	10 6	connect 6					
10		7.3.2.3 9.1.4.2 9.1.4.4	17 4 8	29			Judge Name:		
11		7.2.2.1 9.1.3.2	6 4	connect 6			IAC #		
12		1.2.3.3 9.9.4.2 9.1.1.2	15 11 8	34			Assistant Name:		
13		7.2.4.3 9.1.3.2 9.1.3.2	6 4 4	connect 6			IAC #		
14		8.4.15.2 9.8.2.2 9.2.4.4	16 9 9	34					

FREE PROGRAM CHECKED BY:

Signature:	Printed Name:	Date:
IAC No:		

Judge Name:

IAC #

Assistant Name:

IAC #



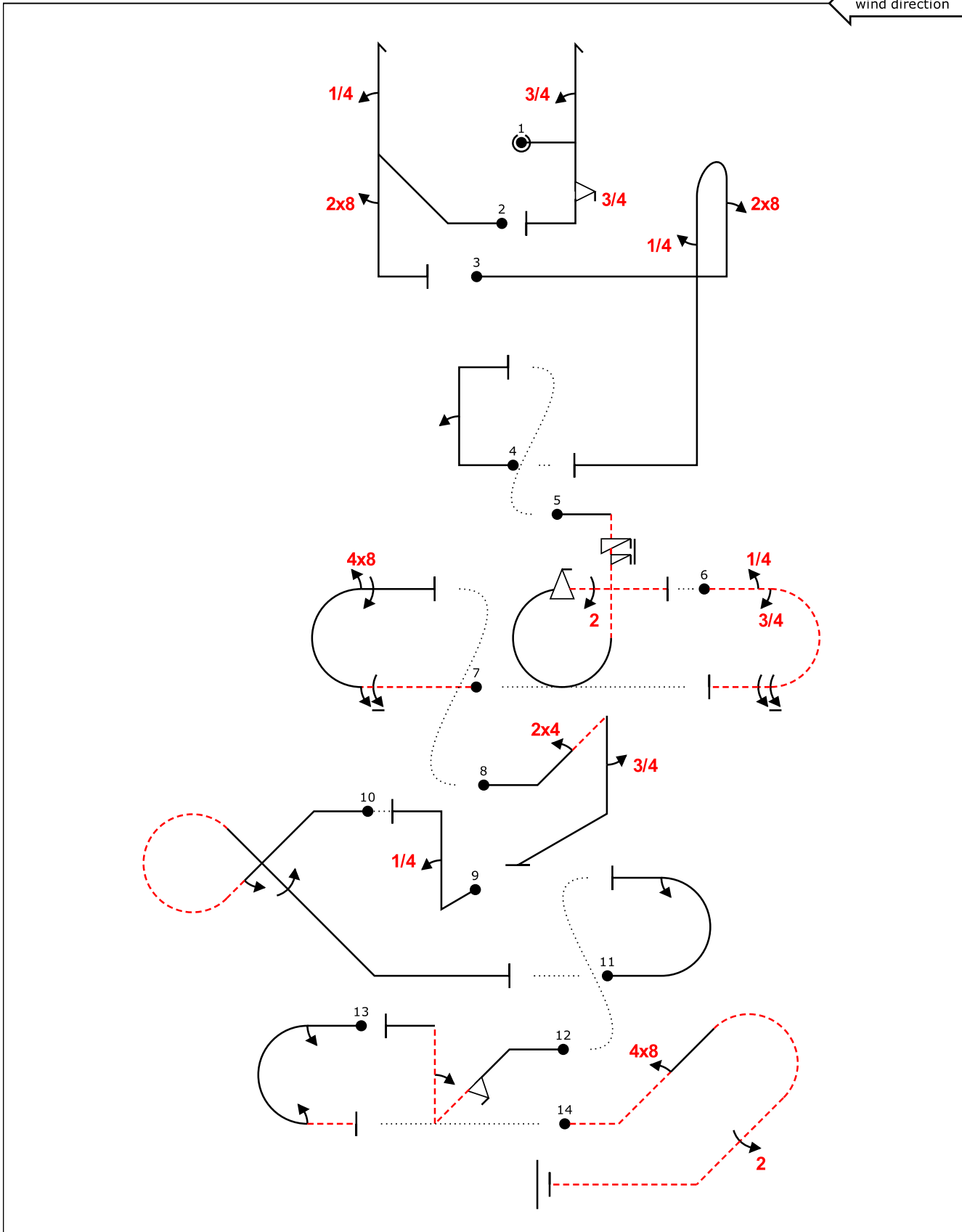
ADV UNK#2-A
Pilot
A/C



B	Contest:	U.S. National Championships	Category:	Advanced
	Date:	2015	Program:	Unknown2
			Pilot's No.	<input type="text"/>

Pilot: ADV UNK#2-A

wind direction



A/C:

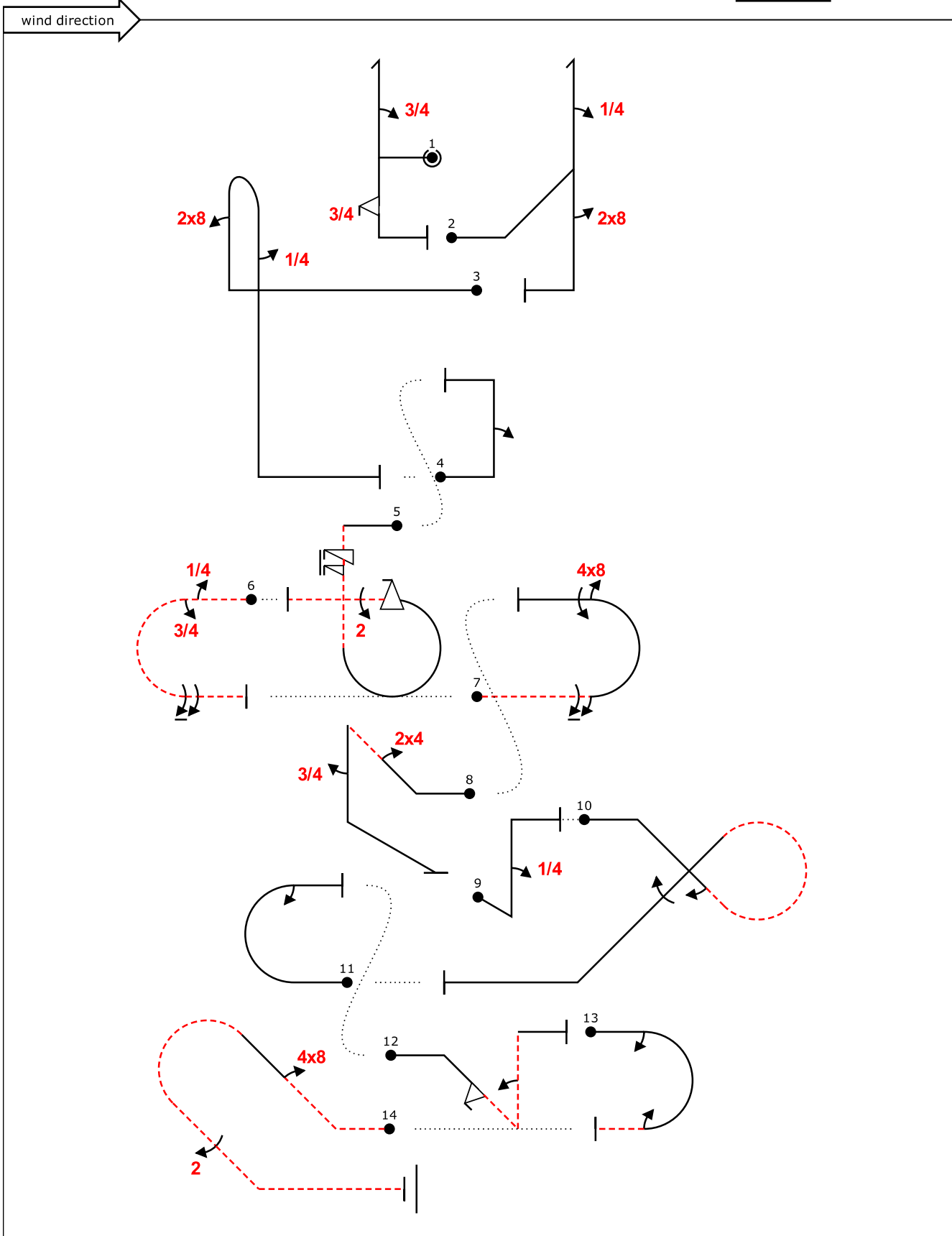
(signature/date)

FREE PROGRAM CHECK BY:



C	Contest: U.S. National Championships	Category: Advanced
	Date: 2015	Program: Unknown2

Pilot: ADV UNK#2-A



A/C: _____

FREE PROGRAM CHECK BY: _____ (signature/date)