

INTERNATIONAL AEROBATIC CLUB SCORESHEET

A

Contest:	Date:	Category:	Programme:	pilot's number	
US Nationals 2015	09-21-2015	Advanced	Unknown1		

No	Symbol	Cat. No.	K	Total K	Grade	Remarks
1		1.1.6.1	10	connect 6		
2		1.1.7.3 9.1.5.2	11 4	Fig H 15		
3		1.2.11.2 9.1.2.2	17 6	connect 6		
4		8.4.13.1 9.4.2.4 9.2.4.4	11 13 9	Fig G 33		
5		7.2.4.2 9.4.3.2 9.1.3.6 9.9.3.4	6 5 10 11	Fig B 32		
6		8.5.6.1 9.4.3.3 9.1.3.3 9.4.4.2	10 8 6 5	Fig D 29		
7		8.8.1.1 9.1.5.2 9.1.1.1	18 4 6	connect 6		
8		8.6.1.4 9.12.1.5 9.2.3.4	12 6 9	Fig I 27		
9		8.6.8.2 9.1.3.2 9.9.5.2	13 4 11	28		
10		8.4.4.2 9.1.1.3 9.4.5.2	14 10 5	Fig E 29		
11		5.2.1.1 9.1.1.1 9.9.5.3	17 6 11	Fig A 34		
12		8.4.1.1 9.1.1.1	13 6	connect 6		
13		7.4.6.1	19	Fig J 19		
14		7.4.2.1 9.9.3.2	12 11	Fig C 23		

Item	K	Score
Presentation	30	
FIGURE TOTAL K =		293
INC. PRESENTATION =		323
Aircraft type:		

FREE PROGRAM CHECKED BY:

Signature:	Printed Name:	Date:
IAC No:		

Judge Name:

IAC #

Assistant Name:

IAC #



Robbie Gibbs Pilot
9/22/15 8:06 AM



B

Contest:

US Nationals 2015

Category:

Advanced

Date:

09-21-2015

Program:

Unknown1

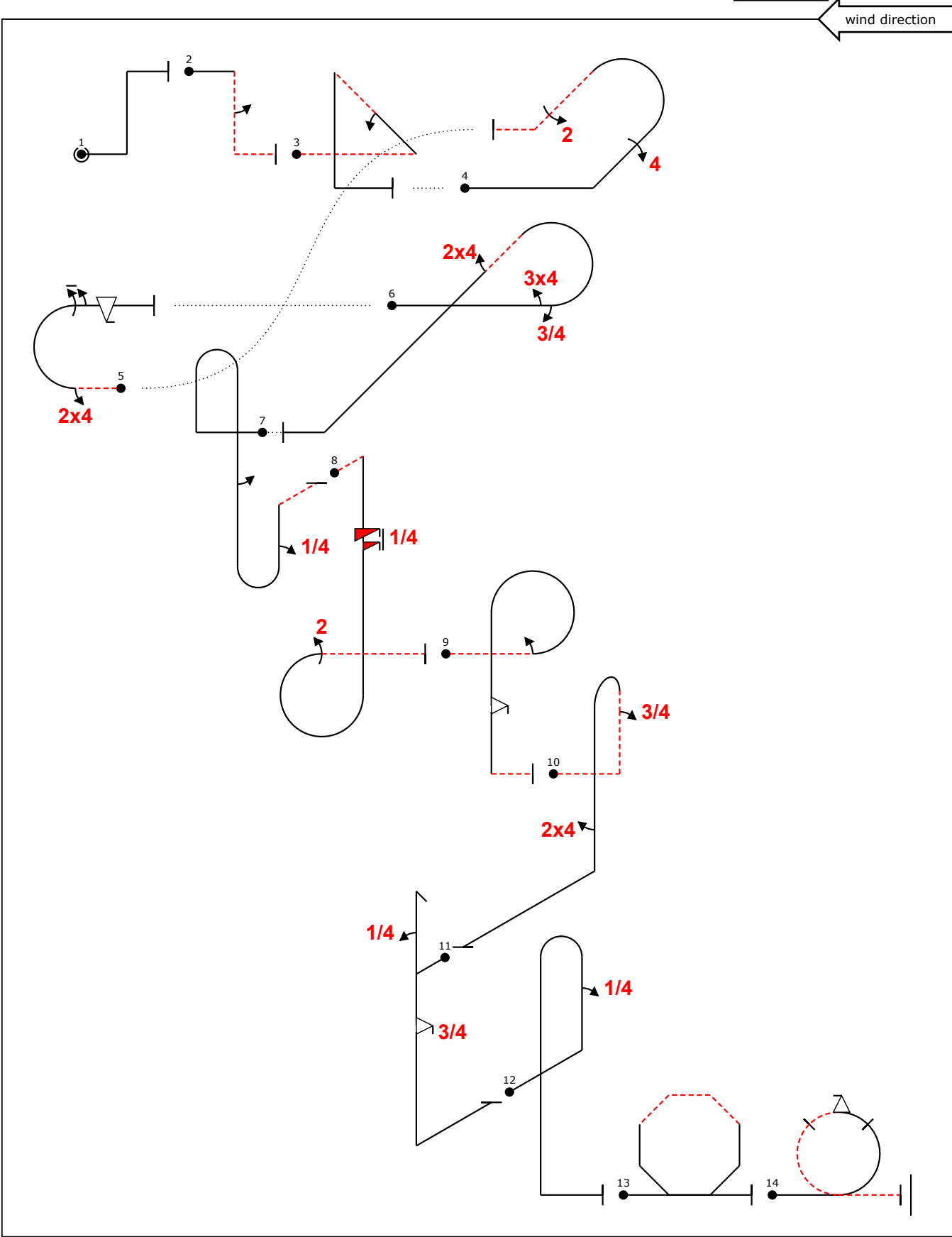
Pilot's No.

[Empty box for Pilot's No.]

Pilot: Robbie Gibbs

about:blank

wind direction



A/C:

(signature/date)

FREE PROGRAM CHECK BY:



C

US Nationals 2015

Category: Advanced

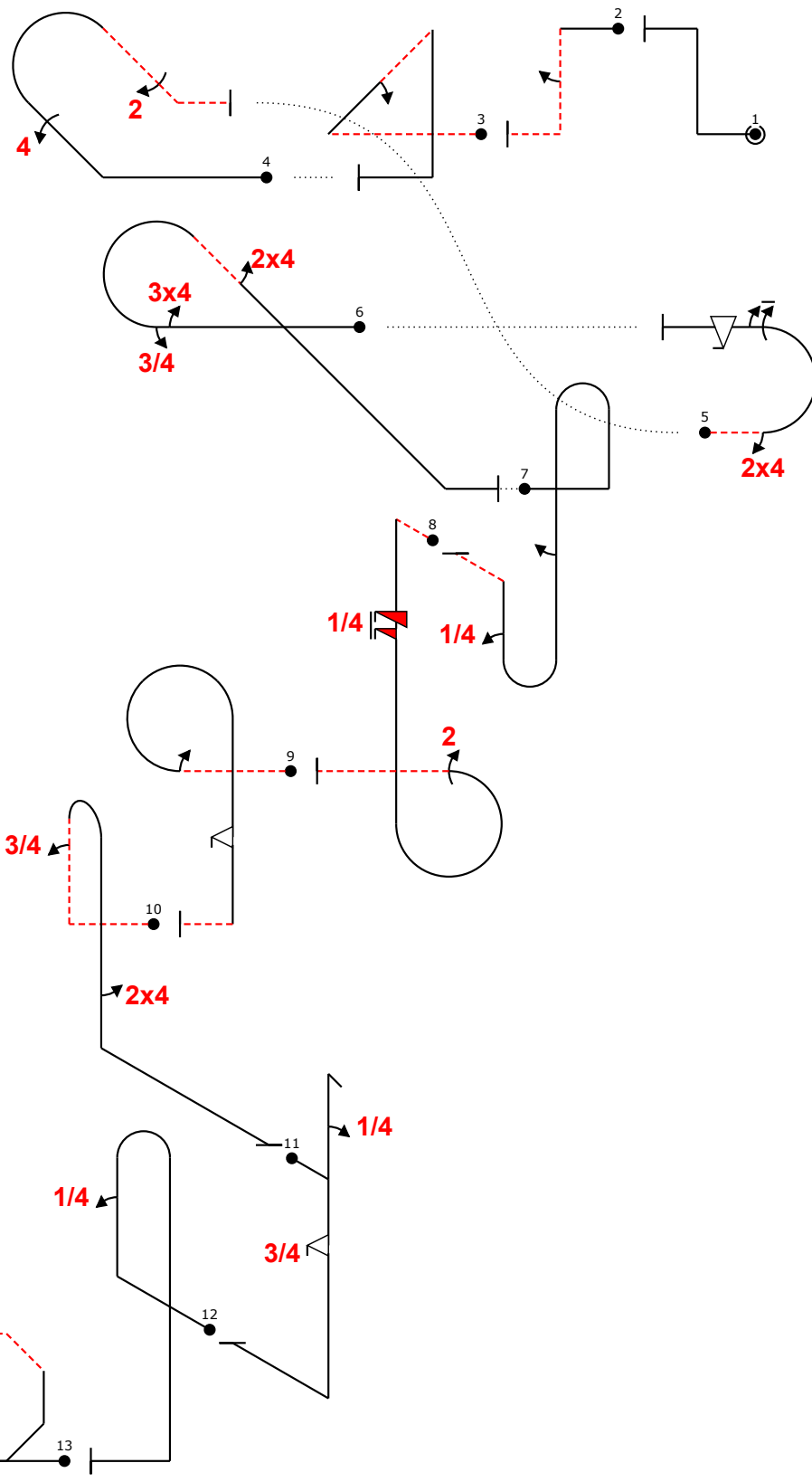
Date: 09-21-2015

Program: Unknown1

Pilot's No.

Pilot: Robbie Gibbs

wind direction



A/C:

(signature/date)

FREE PROGRAM CHECK BY: