

# INTERNATIONAL AEROBATIC CLUB SCORESHEET

# A

Contest:	Date:	Category:	Programme:	pilot's number	
Grayson	09.21.2015	Advanced	Unknown1		

No	Symbol	Cat. No.	K	Total K	Grade	Remarks
1		7.4.2.1 9.9.3.2	12 11	23		
2		8.6.8.2 9.1.3.2 9.9.5.2	13 4 11	28		
3		7.2.4.2 9.4.3.2 9.1.3.6 9.9.3.4	6 5 10 11	32		
4		5.2.1.1	17	connect 6		
5		8.4.13.1 9.4.2.4 9.2.4.4	11 13 9	33		
6		8.4.4.2 9.1.1.3 9.4.5.2	14 10 5	29		
7		5.2.1.1 9.1.5.1	17 2	connect 6		
8		7.4.6.1	19	19		
9		8.5.6.1 9.4.3.3 9.1.3.3 9.4.4.2	10 8 6 5	29		
10		5.2.1.1 9.1.1.1 9.9.5.3	17 6 11	34		
11		1.1.7.1 9.1.1.1	9 6	connect 6		
12		8.6.1.4 9.12.1.5 9.2.3.4	12 6 9	27		
13		1.1.7.2	12	connect 6		
14		1.1.7.3 9.1.5.2	11 4	15		

Item	K	Score
Presentation	30	

FIGURE TOTAL K = 293

INC. PRESENTATION = 323

Aircraft type:

FREE PROGRAM CHECKED BY:

Signature:	Printed Name:	Date:
		IAC No:

Judge Name:

IAC #

Assistant Name:

IAC #





**B**

Context:

Grayson

Category:  
**Advanced**

Date:  
**09.21.2015**

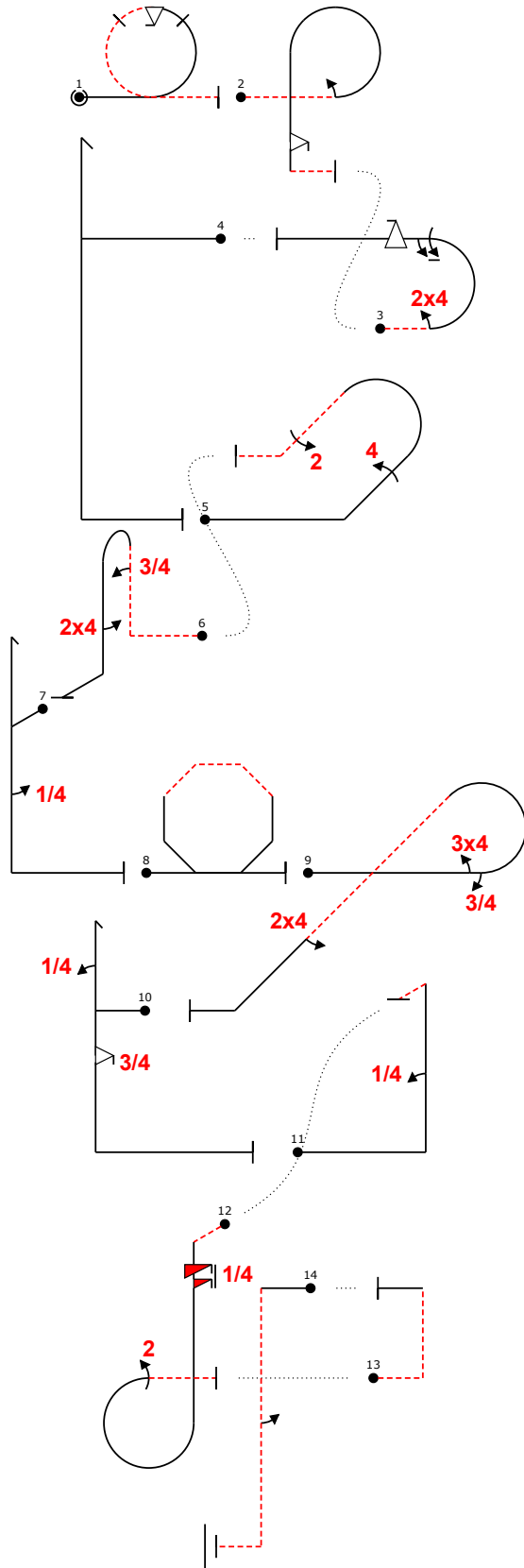
Program:  
**Unknown1**

Pilot's No.

Pilot: Nationals ver 2

about:blank

wind direction



A/C:

(signature/date)

FREE PROGRAM CHECK BY:



C

Contest:

Grayson

Category:

Advanced

Date:

09.21.2015

Program:

Unknown1

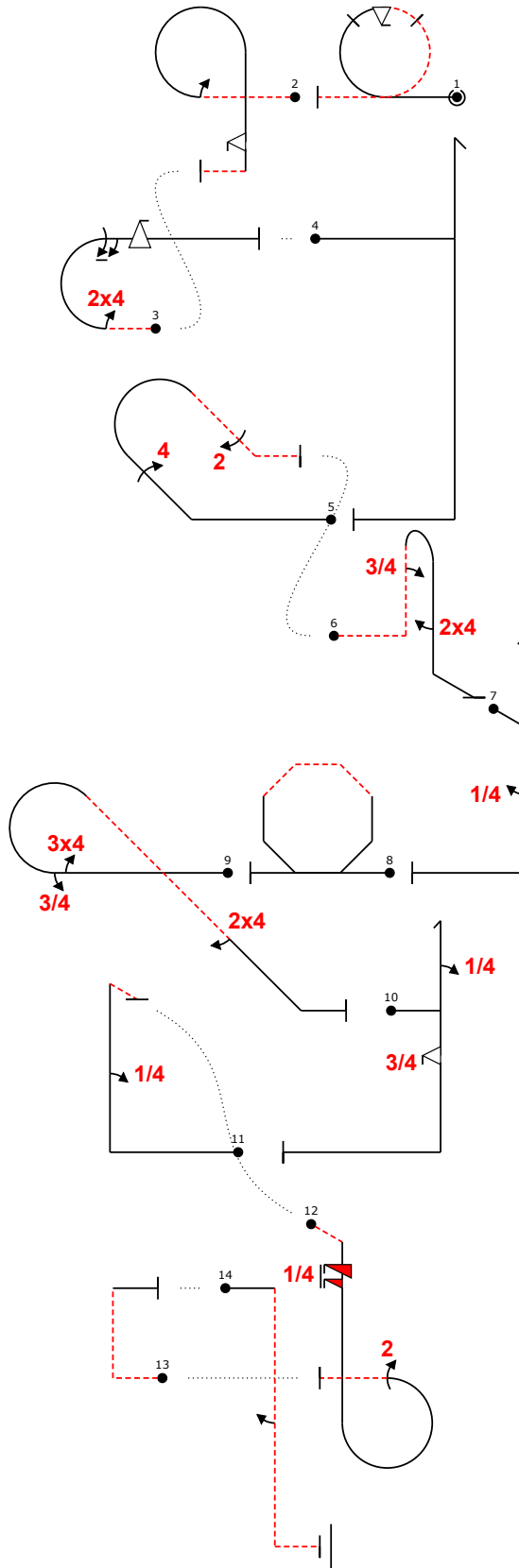
Pilot's No.

[Empty box for Pilot's No.]

Pilot: Nationals ver 2

about:blank

wind direction



A/C:

(signature/date)

FREE PROGRAM CHECK BY: