

INTERNATIONAL AEROBATIC CLUB SCORESHEET

A

Contest:	Date:	Category: Advanced	Programme: Unknown1	pilot's number	
----------	-------	------------------------------	-------------------------------	----------------	--

No	Symbol	Cat. No.	K	Total K	Grade	Remarks	Item	K	Score	
1		8.4.13.1 9.4.2.4 9.2.4.4	11 13 9	33			Presentation	30		
2		7.2.4.2 9.4.3.2 9.1.3.6 9.9.3.4	6 5 10 11	32			FIGURE TOTAL K =		293	
3		5.2.1.1 9.1.1.1 9.9.5.3	17 6 11	34			INC. PRESENTATION =		323	
4		8.5.6.1 9.4.3.3 9.1.3.3 9.4.4.2	10 8 6 5	29			Aircraft type:			
5		8.8.1.1 9.1.5.2 9.1.1.1	18 4 6	connect 8			FREE PROGRAM CHECKED BY: Signature: _____ Printed Name: _____ IAC No: _____ Date: _____			
6		8.6.4.4 9.12.1.5 9.1.3.2	15 6 4	25				Judge Name:		
7		8.6.8.2 9.1.3.2 9.9.5.2	13 4 11	28				IAC #		
8		8.4.4.2 9.4.1.3 9.4.5.2	14 12 5	31				Assistant Name:		
9		1.3.13.1 9.1.1.1 9.1.1.2	22 6 8	connect 8				IAC #		
10		1.1.7.3 9.1.5.2	11 4	15						
11		1.1.1.4 9.1.3.2	2 4	connect 8						
12		7.4.6.1	19	19						
13		7.4.2.1 9.9.3.2	12 11	23						



C Pilot
9/22/15 8:19 AM



B

Contest:

Category:

Advanced

Date:

Program:

Unknown1

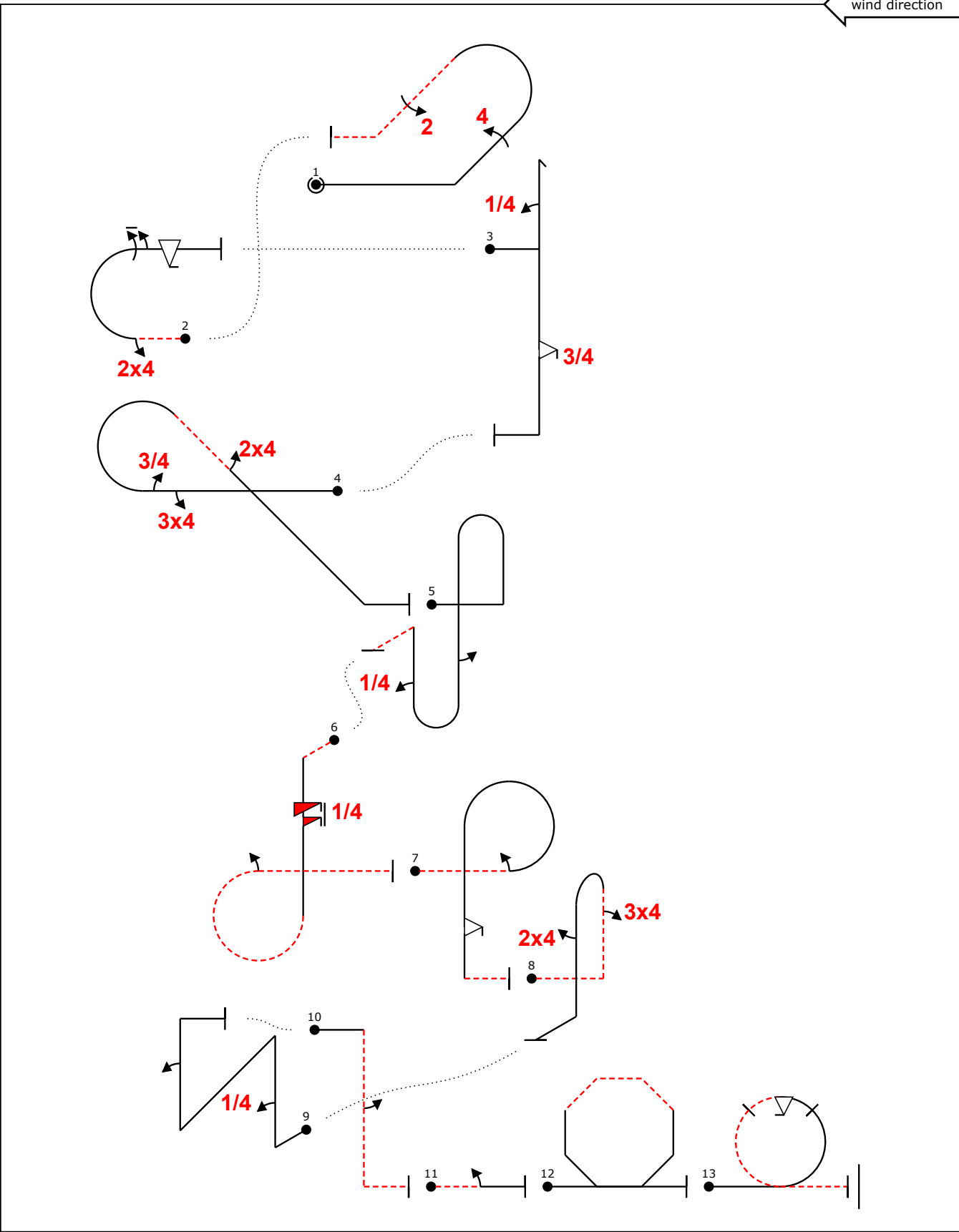
Pilot's No.

[Empty box for Pilot's No.]

Pilot: C

about:blank

wind direction



A/C:

(signature/date)

FREE PROGRAM CHECK BY:



C

Contest:

Category:

Advanced

Date:

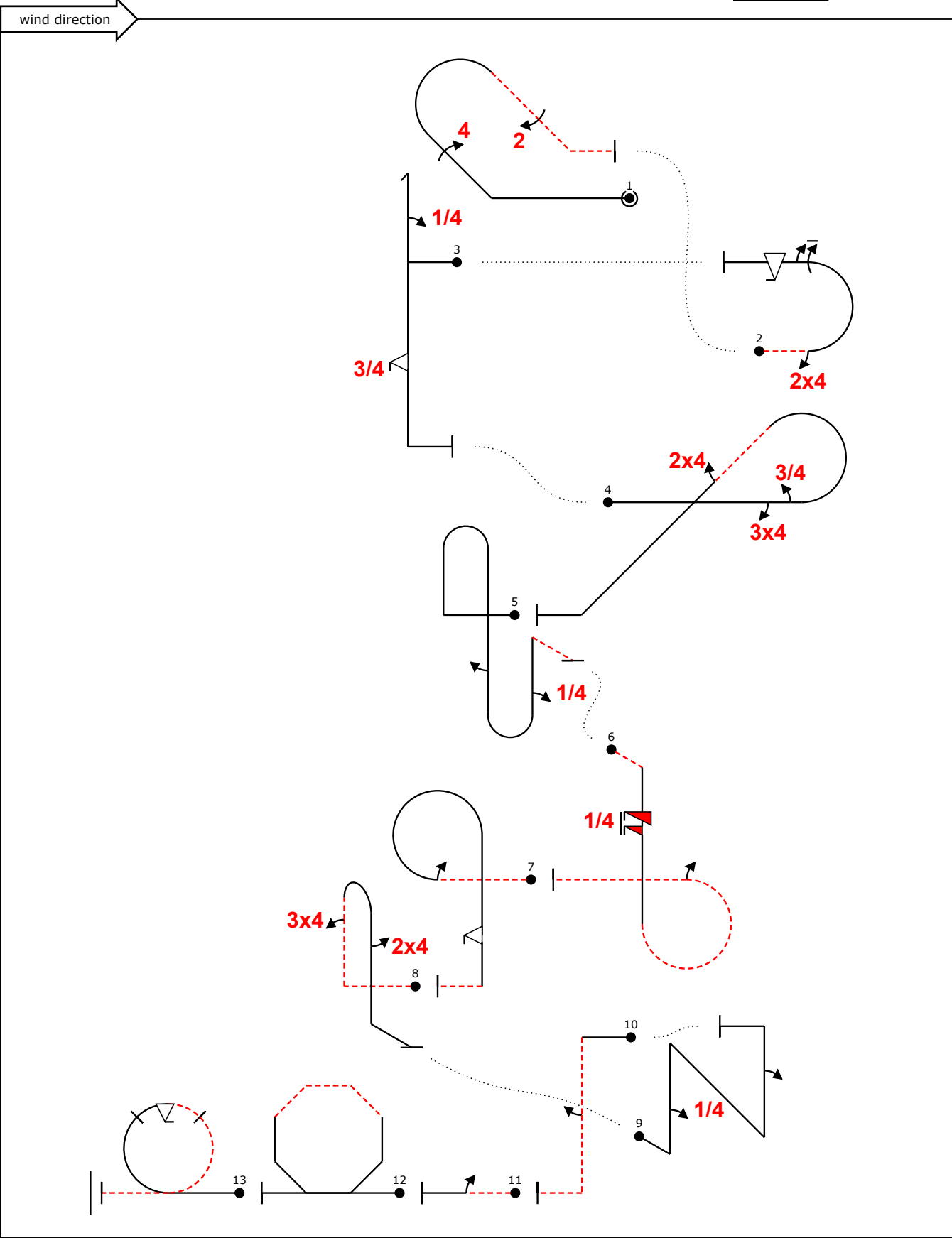
Program:

Unknown1

Pilot's No.

[Empty box for Pilot's No.]

Pilot: C



A/C:

(signature/date)

FREE PROGRAM CHECK BY: