

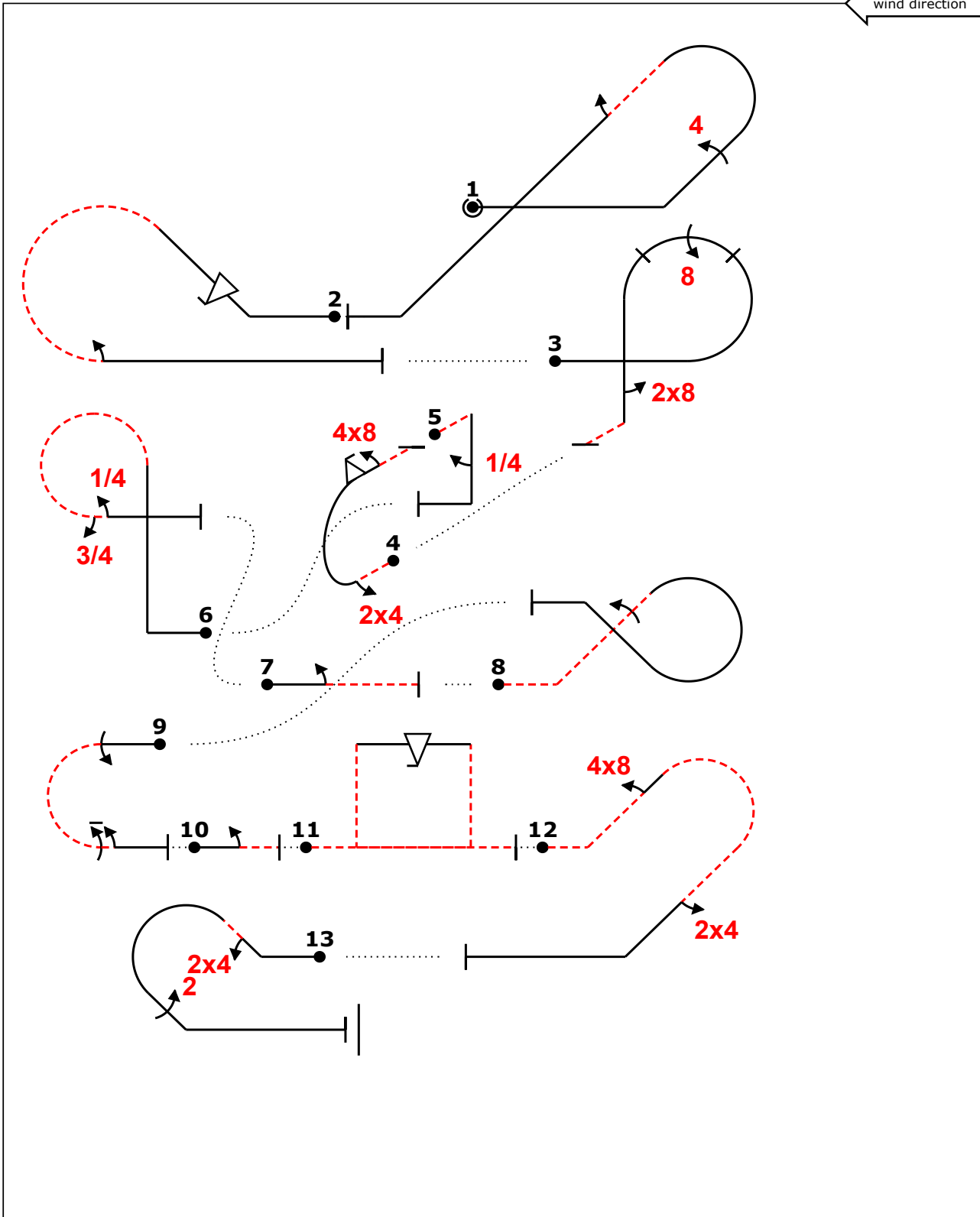
I



B	Contest:	US Nationals	Category:	Power Advanced
	Date:	2023	Program:	Unknown1
			Pilot's No.	<input type="text"/>

Pilot:

wind direction



A/C:

(signature/date)

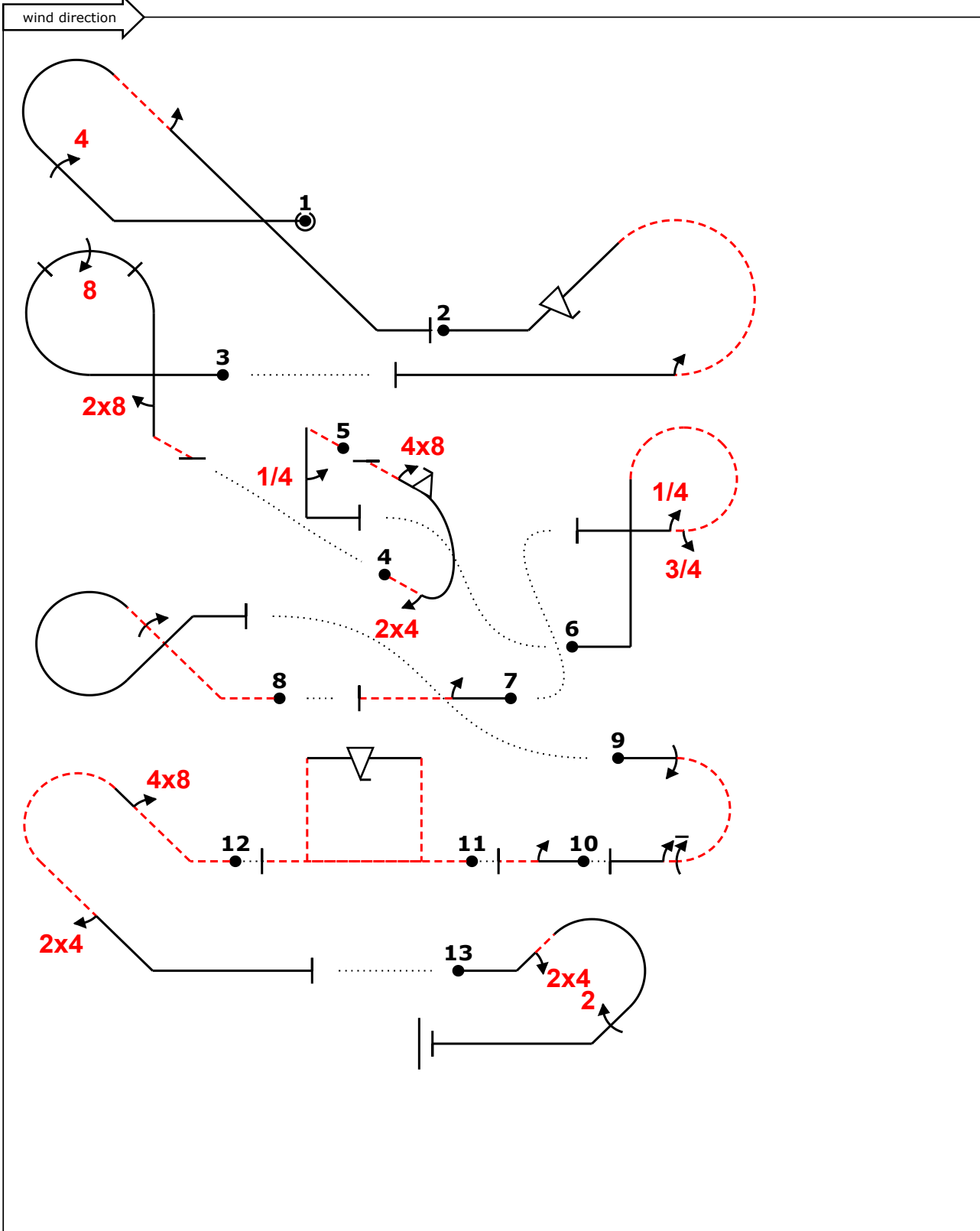
FREE PROGRAM CHECK BY:

I



C	Contest:	US Nationals	Category:	Power Advanced
	Date:	2023	Program:	Unknown1
			Pilot's No.	<input type="text"/>

Pilot:



A/C:

(signature/date)

FREE PROGRAM CHECK BY:

I



Category: Power Advanced Date: 2023
 Program: Unknown1

wind direction **R**

Figure K 302	Judge Name	IAC#	Pilot #
Total K 332	Asst. Name	IAC#	

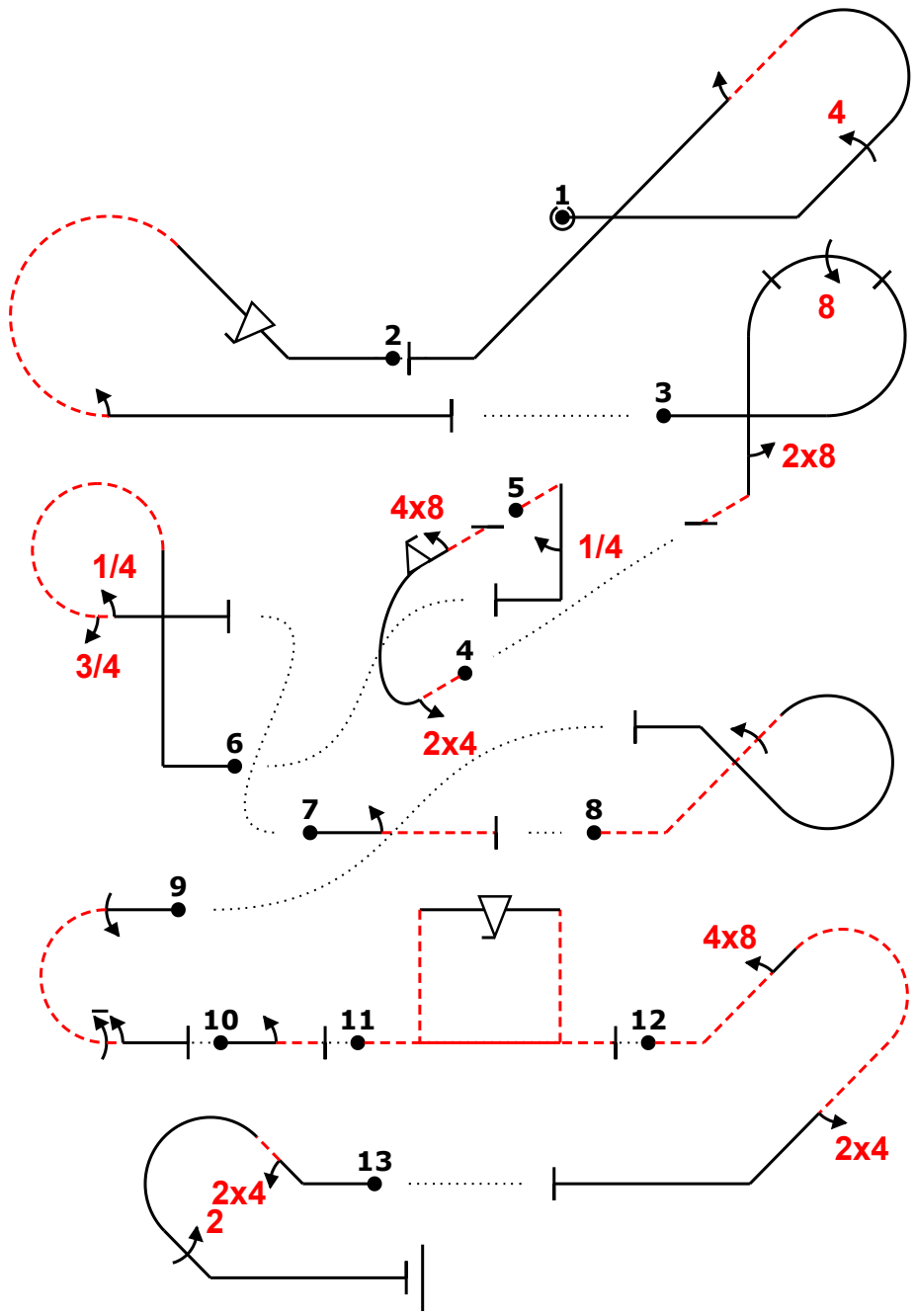


Fig	Grade	Remarks
1	.	
2	.	
3	.	
4	.	
5	.	
6	.	
7	.	
8	.	
9	.	
10	.	
11	.	
12	.	
13	.	

Presentation **30** .

Fig 1 H	K	Fig 2 A	K	Fig 3 D	K	Fig 4 C	K	Fig 5 L	K	Fig 6 G	K	Fig 7 L	K	Fig 8 E	K	Fig 9 I	K	Fig 10 L	K	Fig 11 B	K	Fig 12 F	K	Fig 13 J	K
8.4.14.1	12	8.5.3.1	12	8.6.6.1	12	7.2.3.2	7	1.1.7.4	9	8.6.4.1	14	1.1.1.3	2	7.3.1.2	14	7.2.2.3	8	1.1.1.3	2	7.4.3.2	19	8.4.16.2	16	8.4.15.1	12
9.4.2.4	13	9.9.2.4	13	9.8.3.4	15	9.4.3.2	5	9.1.5.1	2	9.1.3.3	6	9.1.3.2	4	9.1.2.4	10	9.1.3.4	8	9.1.3.2	4	9.9.3.4	11	9.8.2.2	9	9.4.2.2	7
9.1.4.2	4	9.1.3.2	4	9.8.5.1	3	9.9.3.2	11	9.9.3.2	11	9.1.3.1	2					9.1.3.6	10					9.4.4.2	5	9.2.4.4	9
SF 7	29	SF 4	29	SF 7	30	SF 4	30	SF 7	8	SF 7	22	SF 7	8	SF 7	24	SF 7	26	SF 7	8	SF 4	30	SF 7	30	SF 7	28

Pilot:

A/C:

I



Category: Power Advanced Date: 2023
 Program: Unknown1

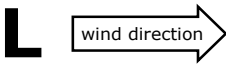


Figure K 302	Judge Name	IAC#	Pilot #
Total K 332	Asst. Name	IAC#	

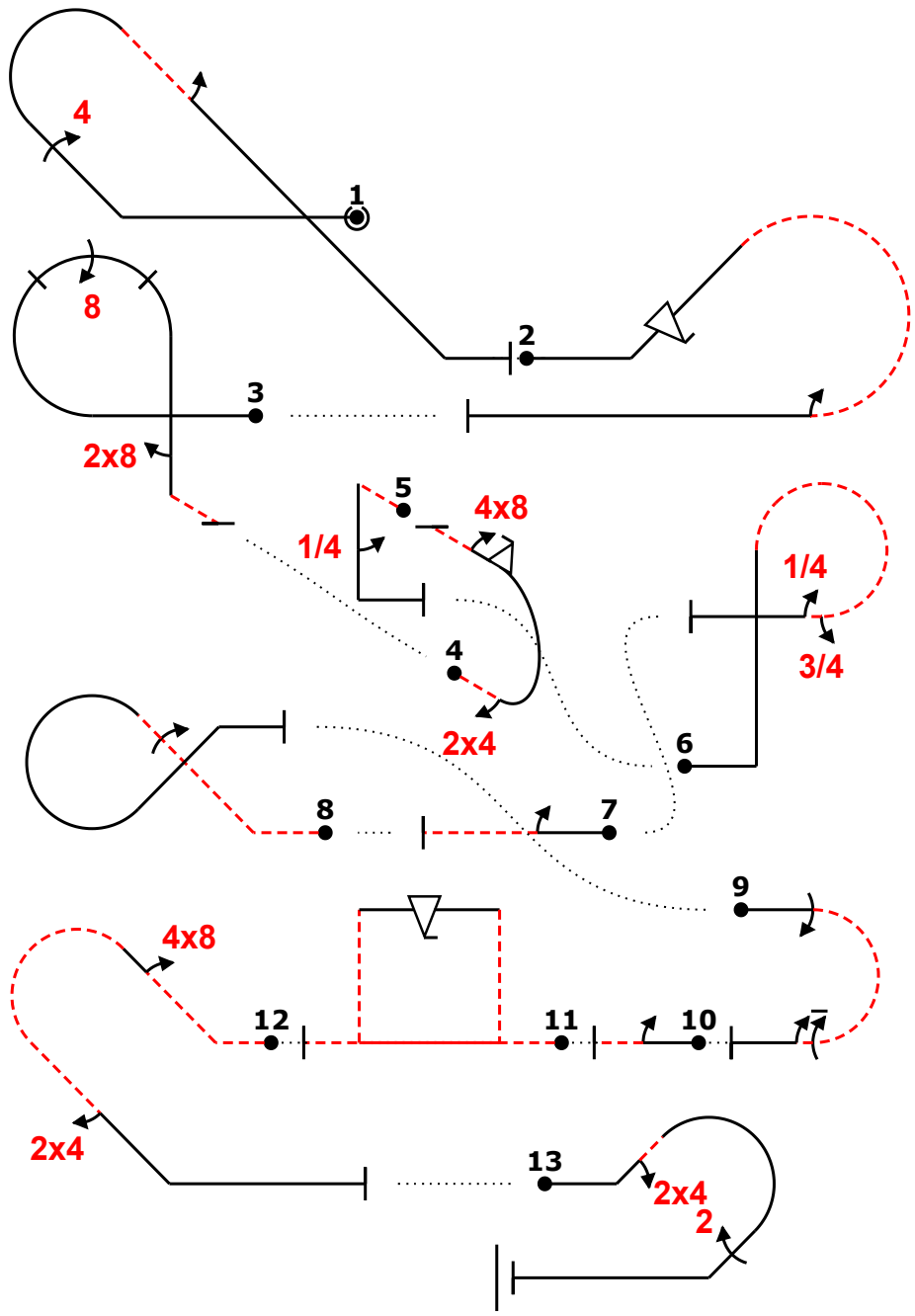


Fig	Grade	Remarks
1	.	
2	.	
3	.	
4	.	
5	.	
6	.	
7	.	
8	.	
9	.	
10	.	
11	.	
12	.	
13	.	

Presentation **30** .

Fig 1 H	K	Fig 2 A	K	Fig 3 D	K	Fig 4 C	K	Fig 5 L	K	Fig 6 G	K	Fig 7 L	K	Fig 8 E	K	Fig 9 I	K	Fig 10 L	K	Fig 11 B	K	Fig 12 F	K	Fig 13 J	K
8.4.14.1	12	8.5.3.1	12	8.6.6.1	12	7.2.3.2	7	1.1.7.4	9	8.6.4.1	14	1.1.1.3	2	7.3.1.2	14	7.2.2.3	8	1.1.1.3	2	7.4.3.2	19	8.4.16.2	16	8.4.15.1	12
9.4.2.4	13	9.9.2.4	13	9.8.3.4	15	9.4.3.2	5	9.1.5.1	2	9.1.3.3	6	9.1.3.2	4	9.1.2.4	10	9.1.3.4	8	9.1.3.2	4	9.9.3.4	11	9.8.2.2	9	9.4.2.2	7
9.1.4.2	4	9.1.3.2	4	9.8.5.1	3	9.9.3.2	11			9.1.3.1	2					9.1.3.6	10					9.4.4.2	5	9.2.4.4	9
SF 7	29	SF 4	29	SF 7	30	SF 4	30	SF 7	8	SF 7	22	SF 7	8	SF 7	24	SF 7	26	SF 7	8	SF 4	30	SF 7	30	SF 7	28

Pilot:

A/C: