

INTERNATIONAL AEROBATIC CLUB SCORESHEET

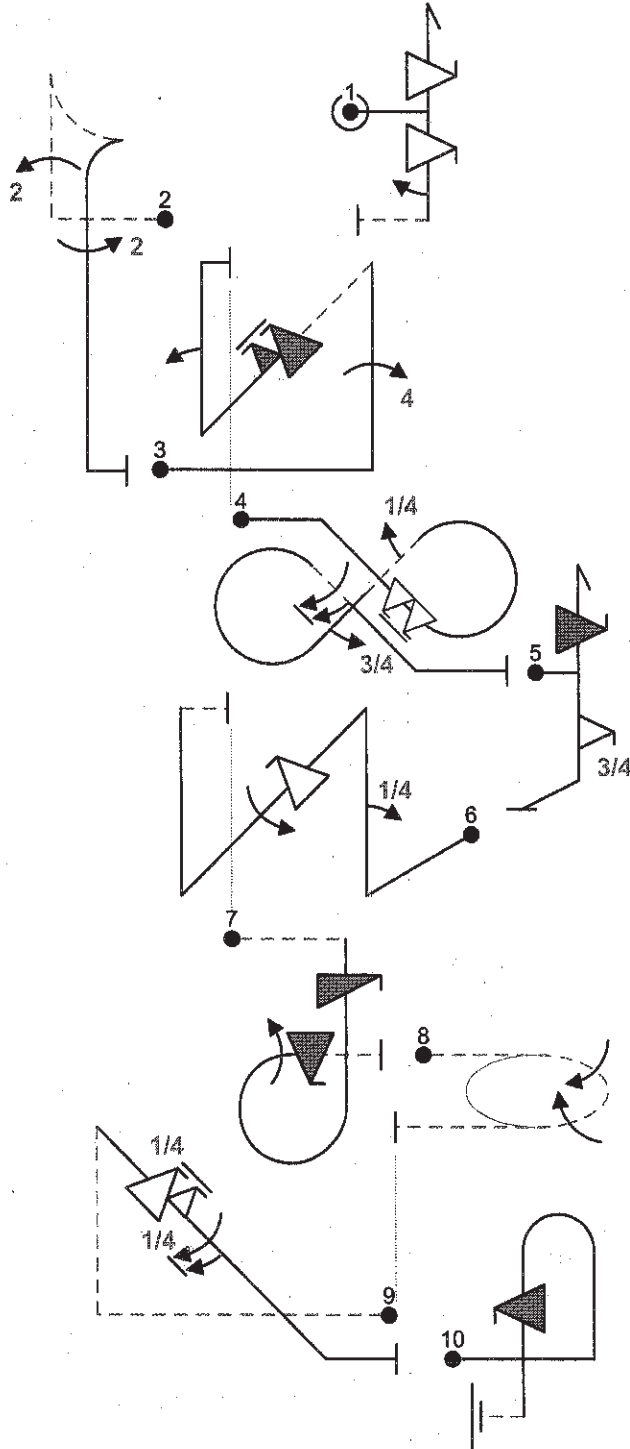
A	Contest:				Date:	Category:	Programme:	pilot's number	
						Unlimited	Free		
No	Symbol	Catalogue No.	K	Total K	Score	Remarks	Item	K	Score
1		5.1.3 9.9.1.4 9.9.5.4 9.1.5.2	18 15 11 4	48			Positioning	26	
2		6.2.4 9.2.1.4 9.2.5.4	17 13 9	39			FIGURE TOTAL K =		420
3		1.39.1 9.4.1.4 9.10.4.6 9.1.1.2	21 15 16 8	60			INCLUDING POSITIONING =		446
4		7.37.3 9.9.4.8 9.1.4.1 9.1.4.3 9.1.4.6	23 17 2 6 10	58			Aircraft Type:		Eigenhawk Solution
5		5.1.1 9.10.6.4 9.9.5.3	17 19 11	47			FREE PROGRAM CHECKED BY:		
6		1.41.1 9.1.1.1 9.9.4.4 9.1.4.4	22 6 11 8	47			Signature:		16628
7		8.33.4 9.12.1.4 9.1.3.4 9.10.3.4	12 7 8 13	40			14 June 2007		
8		2.6.2	14	14			Judge		
9		1.16.2 9.9.4.5 9.1.4.5	16 13 9	38			Name		
10		8.2.1 9.10.10.4	14 15	29			Number		
11									
12									





B	Contest:	Category: Unlimited
Date:	Program: Free	Pilot's No. <input type="text"/>

wind direction



Created Using Aces II 6™ software. ACCassidy@aol.com

A/C: Eigenhawk Solution

FREE PROGRAM CHECK BY: (signature/date)

17 JUN 2001 GREGORY D. LAURIGUI, IAC 10020



C	Contest:	Category: Unlimited
Date:	Program: Free	Pilot's No. <input type="text"/>

wind direction

