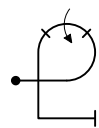
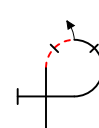

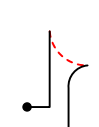
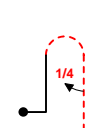





INTERNATIONAL AEROBATIC CLUB SCORESHEET - GLIDERS

A	Contest:	Date:	Category: Advanced Glider	Program: Unknown	pilot's number	

No	Symbol	Catalogue No.	K	Total K	Grade	Remarks
1		8.6.5.1 9.1.3.4	11 12	23		
2		8.6.19.1 9.1.3.2	12 6	18		
3		8.5.6.1 9.1.3.4 9.4.4.2	10 12 8	30		
4		6.2.2.1	17	17		
5		8.4.3.1 9.1.5.1	15 3	18		
6		5.2.1.1 9.1.5.1	17 3	20		
7		7.2.1.1	6	6		
8		1.1.1.4 9.8.3.2	2 11	13		

Item	K	Score
Presentation	25	

FIGURE TOTAL K = 145

INCLUDING PRESENTATION = 170

Glider Type:

FREE PROGRAM CHECKED BY:

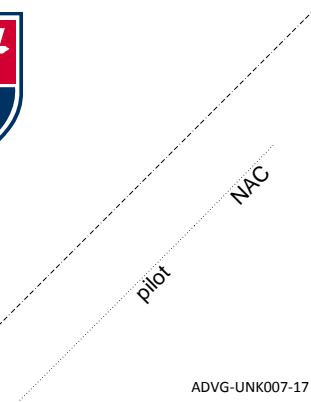
Signature:	Printed Name:	Date:
		IAC No.

Judge Name:

IAC#

Assistant Name:

IAC#

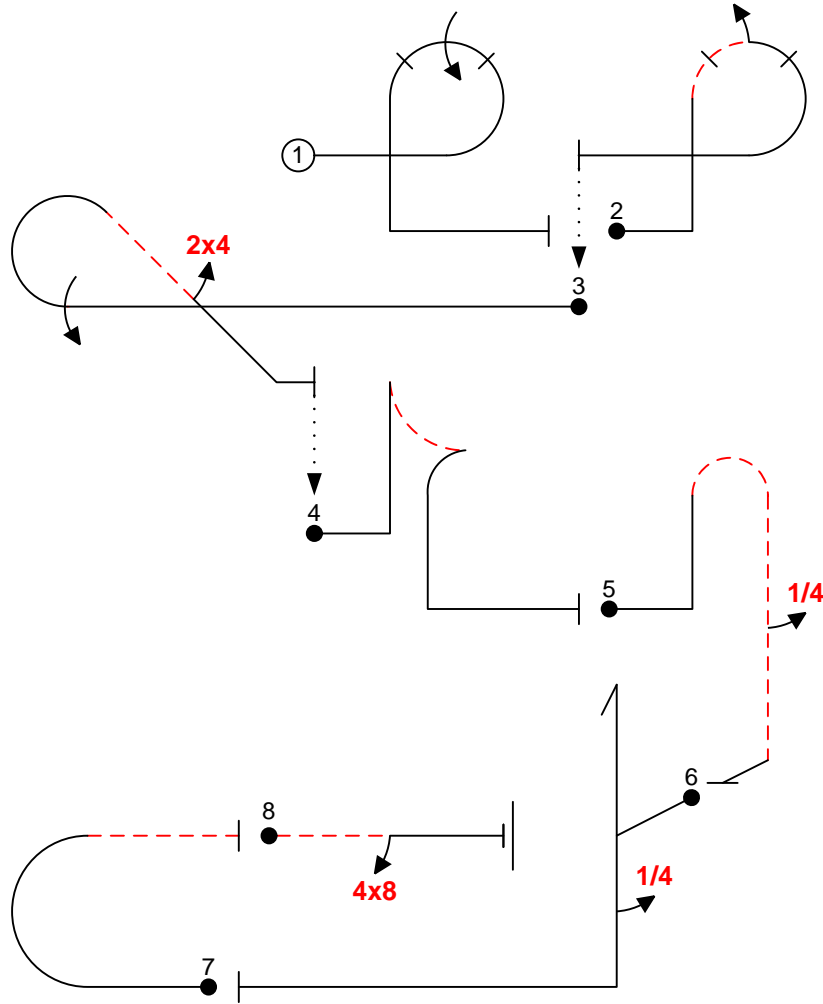




B	Contest:	Category: Advanced Glider	
	Date:	Program: Unknown	Pilot's No. <input type="text"/>

wind direction

pilot
NAC



Glider

(signature/date)

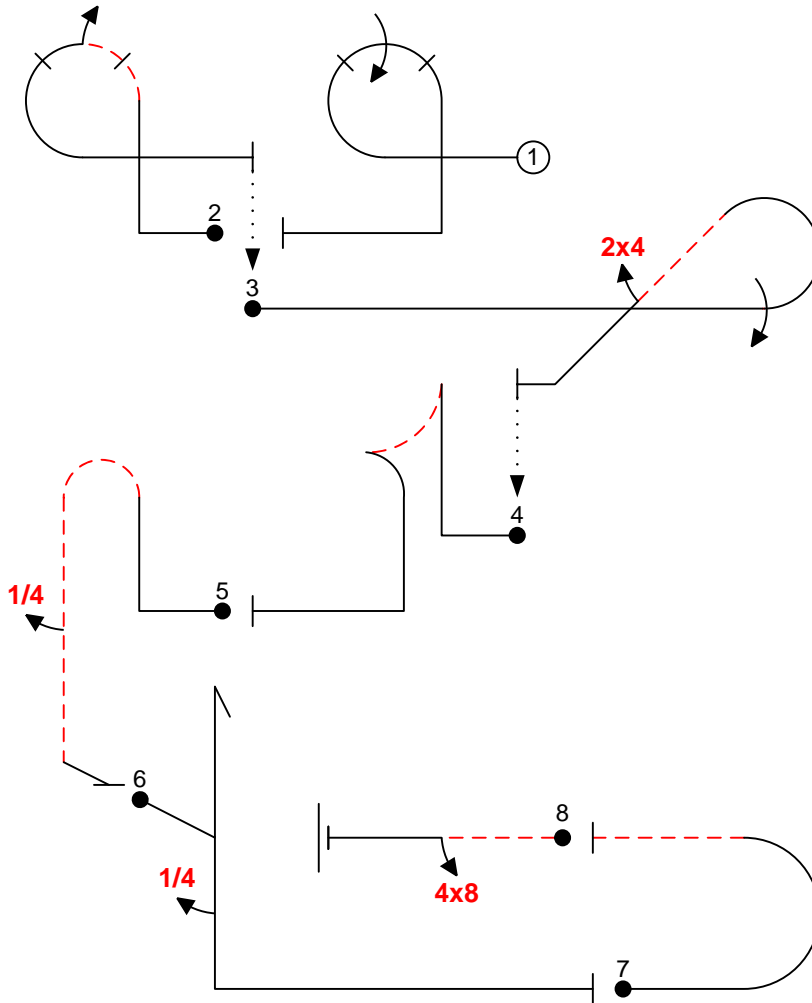
GLIDER FREE PROGRAM CHECK BY:



C	Contest:	Category: Advanced Glider	
	Date:	Program: Unknown	Pilot's No. <input type="text"/>

pilot
NAC

wind direction



Glider

(signature/date)

GLIDER FREE PROGRAM CHECK BY: