

2024 Nationals Unlimited Free Unknown II - Sequence D



US Nationals 2024

Form A

Pilot ID

CIVA Unlimited Programme2

Flight #

No	Symbol	Cat. No.	K	Total K	Grade	Pos	Remarks	Item	K	Grade
1		7.2.4.1 9.1.3.5 9.1.3.7 9.10.3.6 9.9.8.4	8 9 11 16 13	Fig A 57	.			Pos.	40	
2		8.8.7.2 9.1.1.1 9.4.5.3 9.1.1.5	21 6 8 14	Fig J 49	.			Harm.	0	
3		8.6.3.3 9.11.1.5 9.9.5.2 9.2.3.6 9.1.3.6	13 4 11 12 10	Fig D 50	.			Fig K	484	Total K 524
4		5.3.1.4 9.1.5.2	23 4	additional 6	.			Penalties		
5		8.6.2.1 9.1.1.3 9.8.1.1 9.4.3.4 9.4.3.2 9.1.3.8	12 10 7 11 5 12	Fig G 57	.			Too Low		
6		8.4.4.2 9.1.1.1 9.1.5.1	14 6 2	additional 6	.			Too High		
7		8.6.1.1 9.10.6.2 9.10.8.4 9.4.3.3 9.1.3.3	11 19 15 8 6	Fig C 59	.			Interruptions		
8		6.2.1.1 9.10.6.3 9.1.5.3	15 19 6	Fig B 40	.			Insertions		
9		8.8.1.1 9.4.1.3 9.1.5.4 9.4.1.2	18 12 8 9	Fig H 47	.			Trg Violation		
10		8.4.1.4 9.1.5.1	13 2	additional 6	.			Wing Rocks		
11		7.4.5.4 9.9.9.4 9.4.2.4	16 13 13	Fig F 42	.			Disqual Fig		
12		1.1.11.4 9.9.4.6	10 14	Fig E 24	.			Other(note...)		
13		7.2.3.2 9.1.3.2	7 4	additional 6	.			Final Freestyle		
14		7.8.8.4 9.4.4.2 9.1.4.6	20 5 10	Fig I 35	.			Duration	Min	Sec

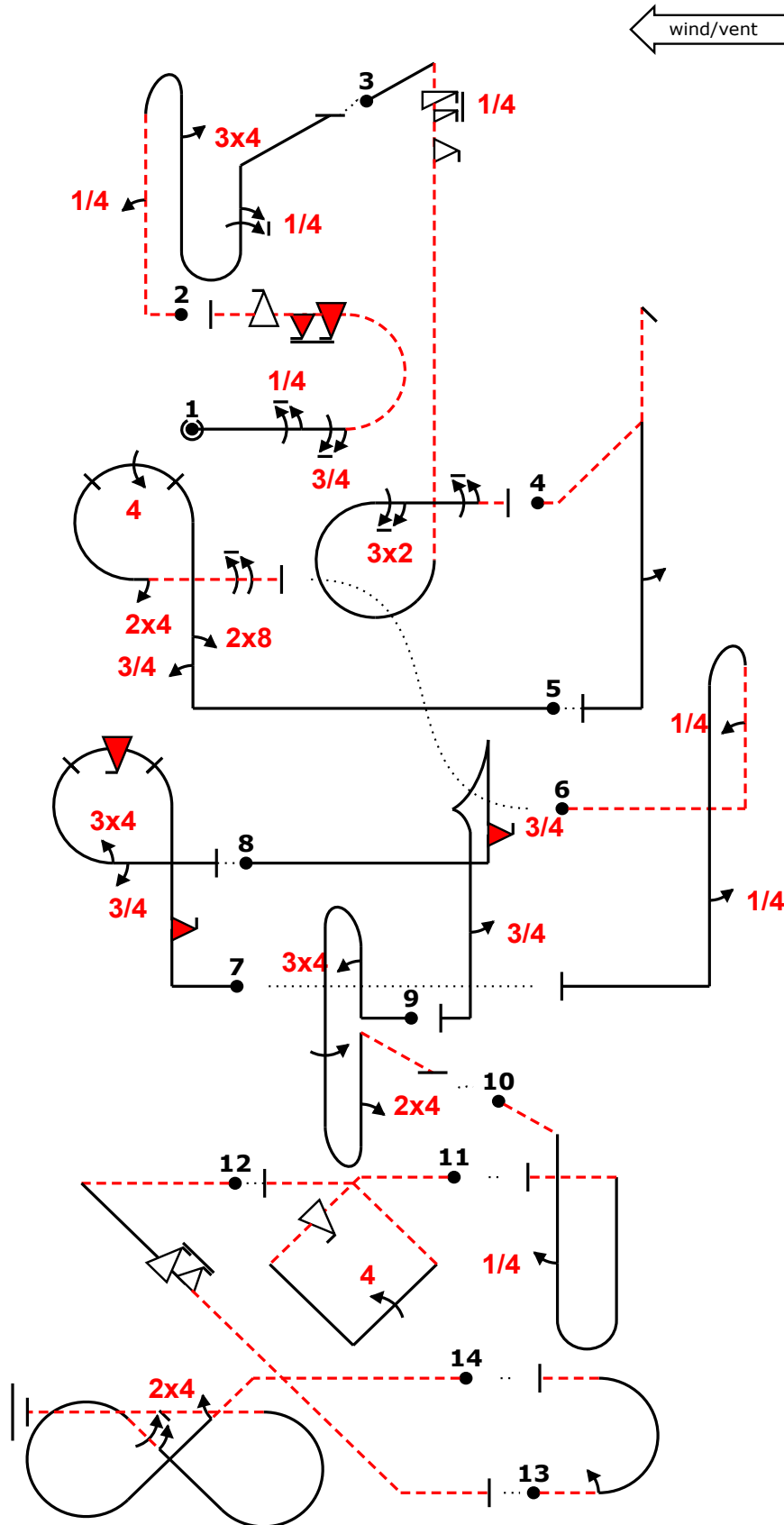
Pilot

A/C

2024 Nationals Unlimited Free Unknown II - Sequence D



US Nationals 2024		Form B
Pilot ID	CIVA Unlimited Programme2	Flight #

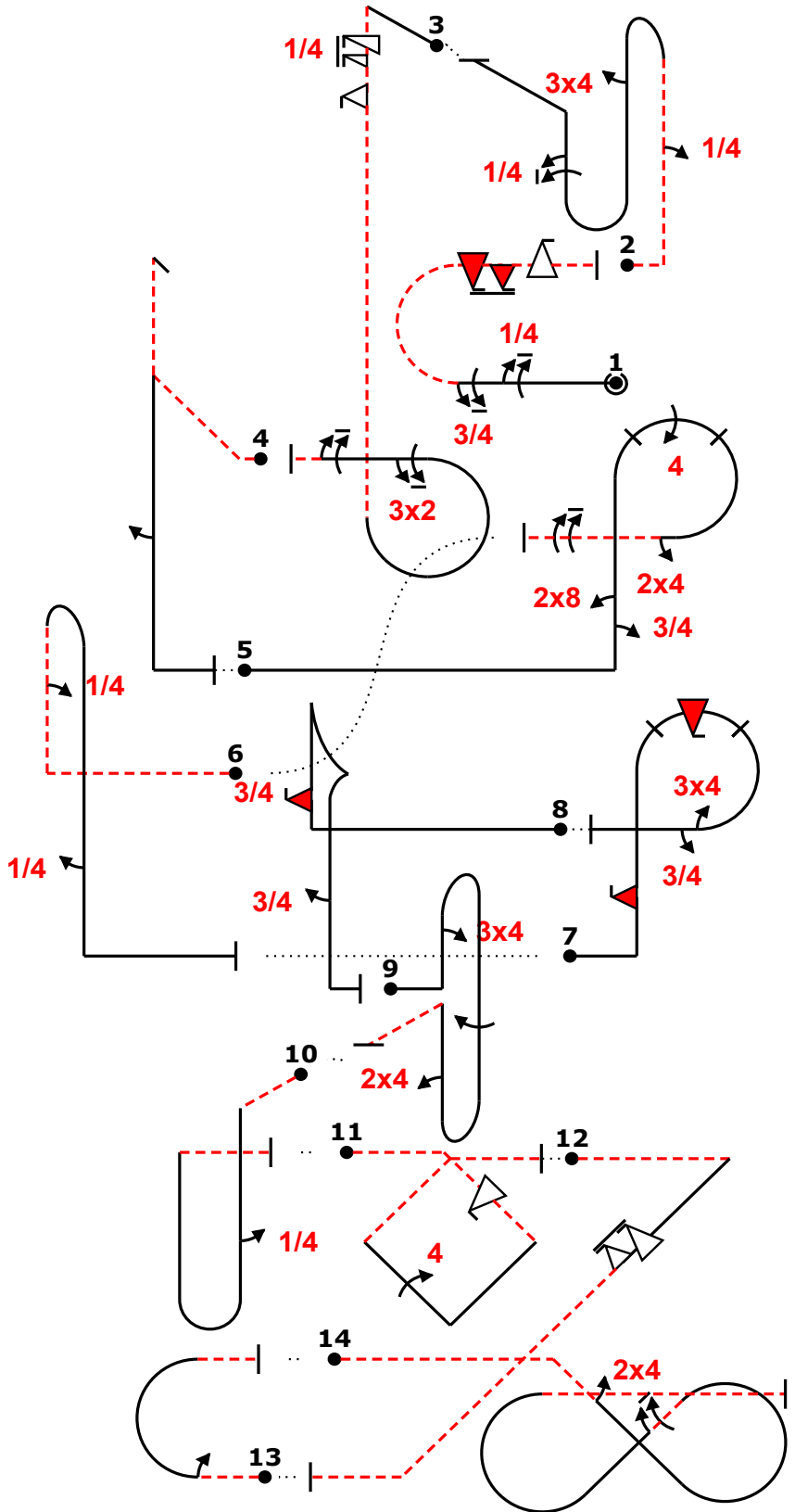
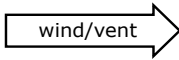


_____ Pilot
 A/C

2024 Nationals Unlimited Free Unknown II - Sequence D



US Nationals 2024		Form C
Pilot ID	CIVA Unlimited Programme2	Flight #



_____ Pilot
 A/C