

# 2024 Nationals Advanced Free Unknown II - Sequence M



## US National Aerobatic Champion

Form A

Pilot ID

CIVA Advanced Programme4

Flight #

No	Symbol	Cat. No.	K	Total K	Grade	Pos	Remarks	Item	K	Grade
1		8.4.15.2 9.8.2.2 9.2.4.4	16 9 9	Fig A <b>34</b>	.			Pos.	30	
2		8.4.4.2	14	additional <b>6</b>	.			Harm.	0	
3		7.2.2.1 9.1.3.8 9.2.3.6	6 12 12	Fig J <b>30</b>	.			Fig K	333	Total K 363
4		5.2.1.1 9.1.1.1 9.9.5.3	17 6 11	Fig E <b>34</b>	.			<b>Penalties</b>		
5		6.2.1.1	15	Fig F <b>15</b>	.			Too Low		
6		5.3.2.3 9.4.2.2	25 7	Fig G <b>32</b>	.			Too High		
7		7.4.3.2 9.9.3.4	19 11	Fig D <b>30</b>	.			Interruptions		
8		7.2.3.2 9.1.3.2	7 4	additional <b>6</b>	.			Insertions		
9		7.2.1.4 9.4.3.2 9.9.3.6 9.4.3.4	6 5 14 11	Fig C <b>36</b>	.			Trg Violation		
10		8.8.1.1 9.1.1.3 9.1.5.2	18 10 4	Fig I <b>32</b>	.			Wing Rocks		
11		8.4.2.4 9.1.1.1	14 6	additional <b>6</b>	.			Disqual Fig		
12		1.2.3.3 9.9.4.2 9.8.1.1	15 11 7	Fig B <b>33</b>	.			Other(note...)		
13		8.6.4.3 9.1.3.2	13 4	additional <b>6</b>	.			<b>Final Freestyle</b>		
14		2.3.4.3	33	Fig H <b>33</b>	.			Duration	Min	Sec
								<b>Judges Details</b>		
								Signature		
								Name		
								Number		

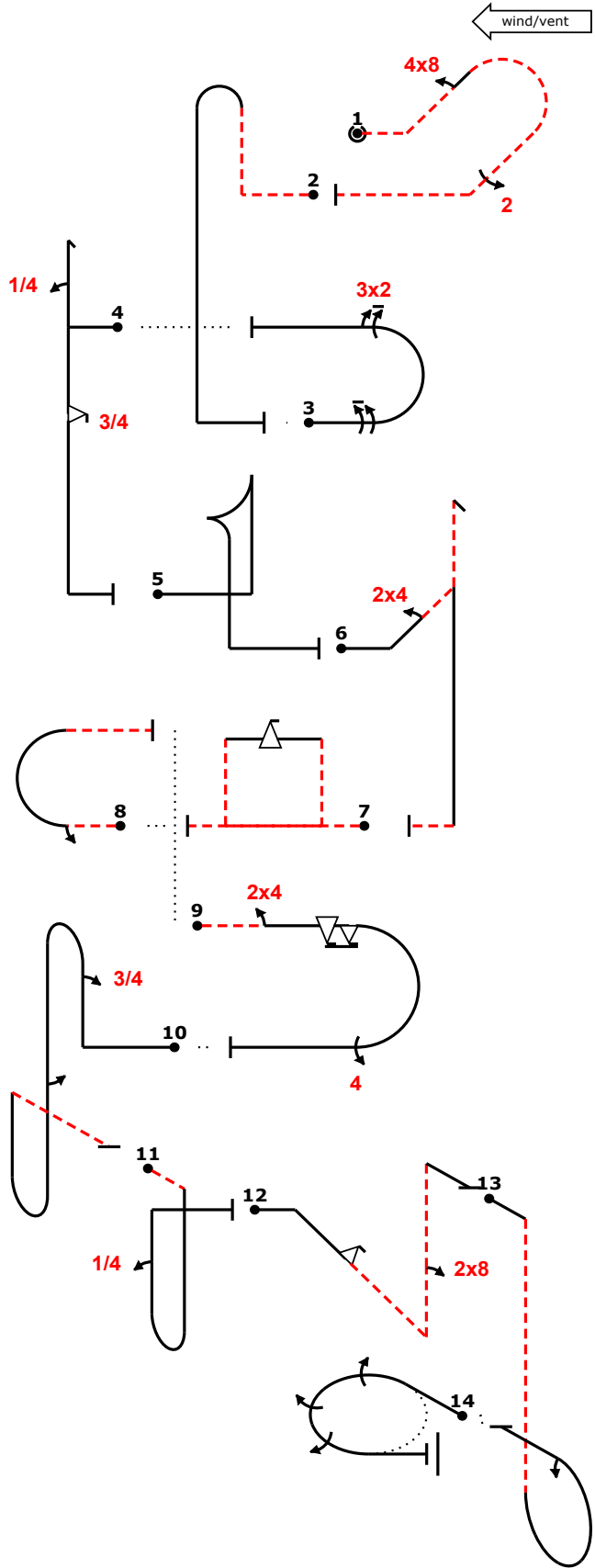
\_\_\_\_\_  
Pilot

\_\_\_\_\_  
A/C

# 2024 Nationals Advanced Free Unknown II - Sequence M



US National Aerobatic Champion		Form B
Pilot ID	CIVA Advanced Programme4	Flight #

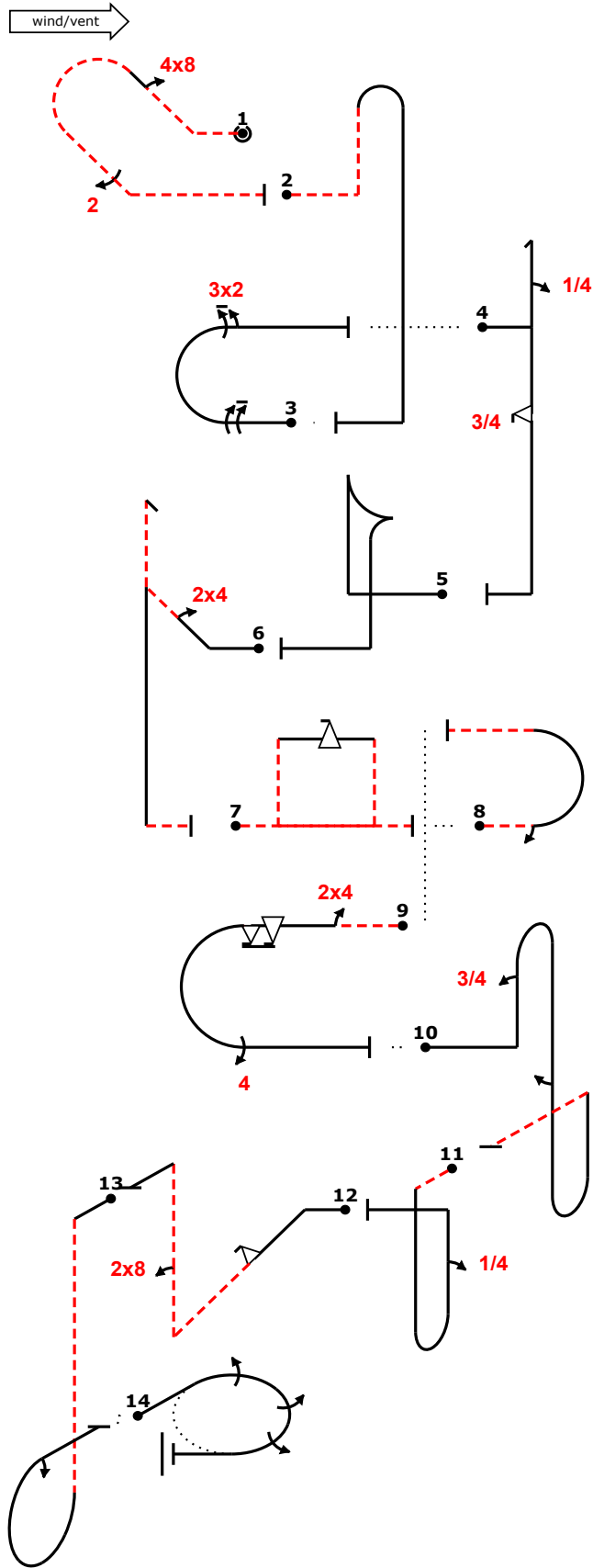


\_\_\_\_\_  
 ..... Pilot  
 ..... A/C

# 2024 Nationals Advanced Free Unknown II - Sequence M



US National Aerobatic Champion		Form C
Pilot ID	CIVA Advanced Programme4	Flight #



\_\_\_\_\_  
 ..... Pilot  
 ..... A/C