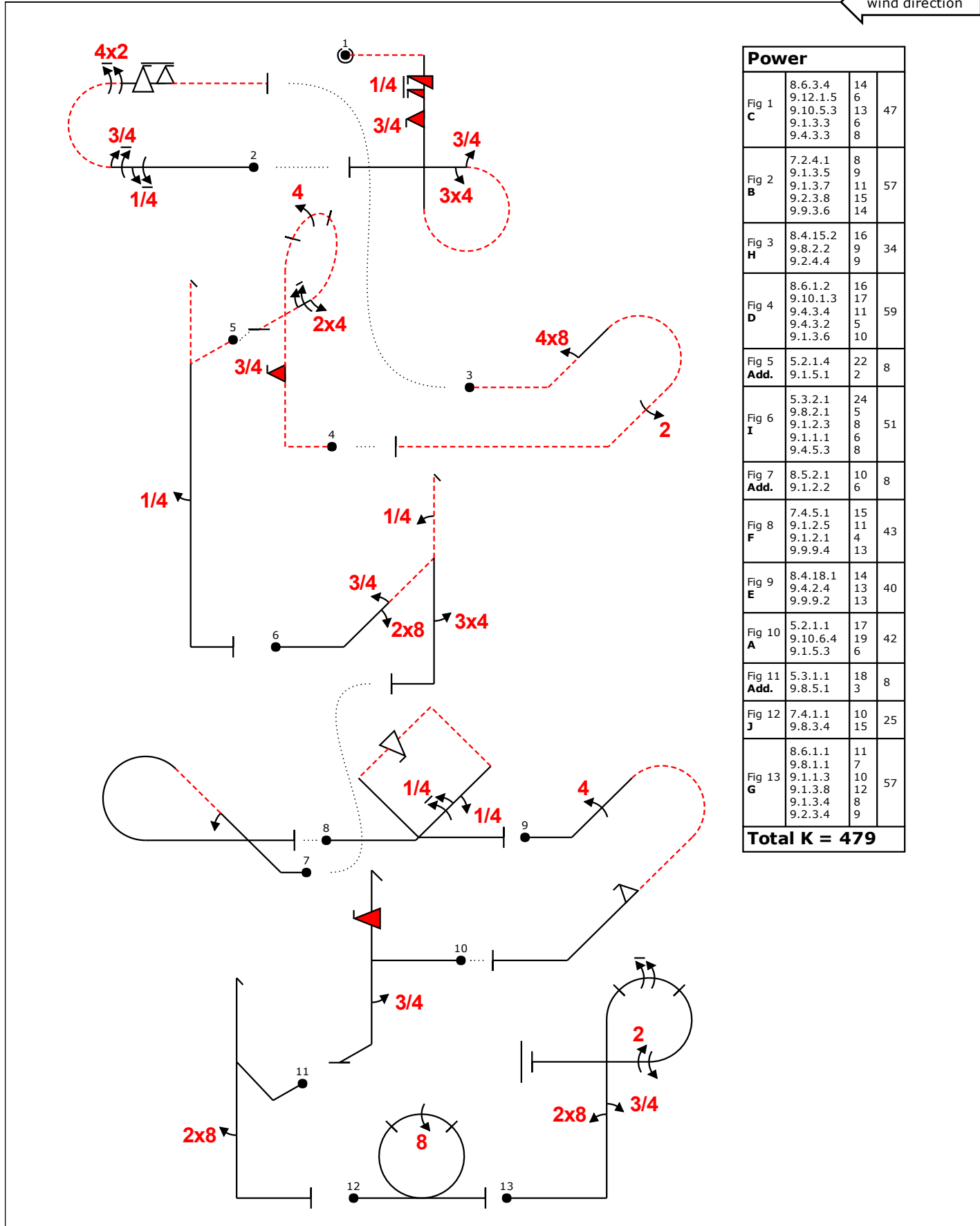




B	Contest:	U.S. National Championships	Category:	Unlimited
	Date:	2016	Program:	Unknown2
			Pilot's No.:	

Pilot: FREE UNKNOWN2 'A'



Power			
Fig 1 C	8.6.3.4	14	47
	9.12.1.5	6	
	9.10.5.3	13	
	9.1.3.3	6	
	9.4.3.3	8	
Fig 2 B	7.2.4.1	8	57
	9.1.3.5	9	
	9.1.3.7	11	
	9.2.3.8	15	
	9.9.3.6	14	
Fig 3 H	8.4.15.2	16	34
	9.8.2.2	9	
	9.2.4.4	9	
Fig 4 D	8.6.1.2	16	59
	9.10.1.3	17	
	9.4.3.4	11	
	9.4.3.2	5	
	9.1.3.6	10	
Fig 5 Add.	5.2.1.4	22	8
	9.1.5.1	2	
Fig 6 I	5.3.2.1	24	51
	9.8.2.1	5	
	9.1.2.3	8	
	9.1.1.1	6	
Fig 7 Add.	8.5.2.1	10	8
	9.1.2.2	6	
Fig 8 F	7.4.5.1	15	43
	9.1.2.5	11	
	9.1.2.1	4	
	9.9.9.4	13	
Fig 9 E	8.4.18.1	14	40
	9.4.2.4	13	
	9.9.9.2	13	
Fig 10 A	5.2.1.1	17	42
	9.10.6.4	19	
	9.1.5.3	6	
Fig 11 Add.	5.3.1.1	18	8
	9.8.5.1	3	
Fig 12 J	7.4.1.1	10	25
	9.8.3.4	15	
Fig 13 G	8.6.1.1	11	57
	9.8.1.1	7	
	9.1.1.3	10	
	9.1.3.8	12	
	9.1.3.4	8	
9.2.3.4	9		
Total K = 479			

A/C:

(signature/date)

FREE PROGRAM CHECK BY: