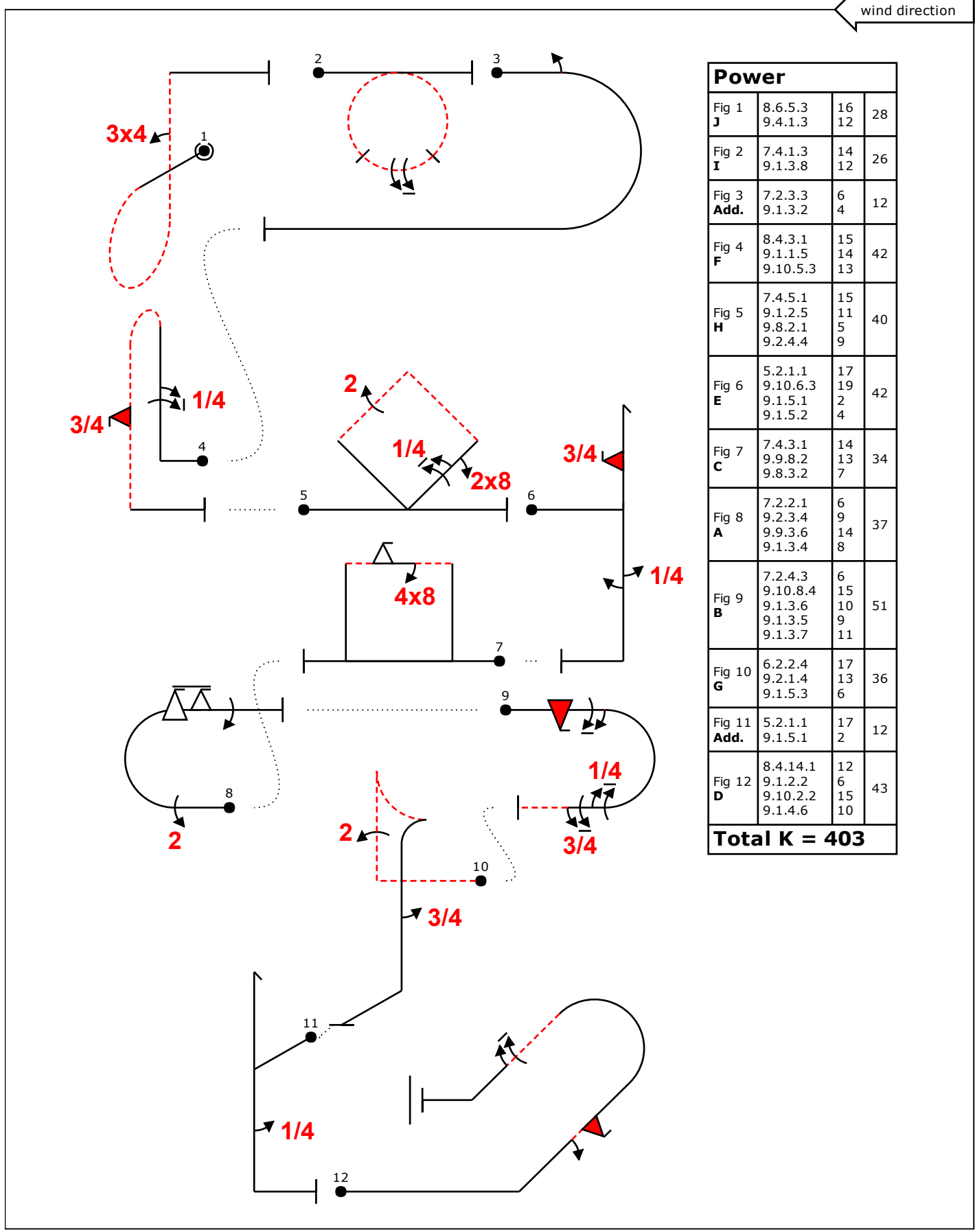




B	Contest:	U.S. National Championships	Category:	Unlimited
	Date:	2016	Program:	Unknown1
			Pilot's No.	<div style="border: 1px solid black; width: 50px; height: 20px;"></div>

Pilot: FREE UNKNOWN 'A'



Power			
Fig 1 J	8.6.5.3 9.4.1.3	16 12	28
Fig 2 I	7.4.1.3 9.1.3.8	14 12	26
Fig 3 Add.	7.2.3.3 9.1.3.2	6 4	12
Fig 4 F	8.4.3.1 9.1.1.5 9.10.5.3	15 14 13	42
Fig 5 H	7.4.5.1 9.1.2.5 9.8.2.1 9.2.4.4	15 11 5 9	40
Fig 6 E	5.2.1.1 9.10.6.3 9.1.5.1 9.1.5.2	17 19 2 4	42
Fig 7 C	7.4.3.1 9.9.8.2 9.8.3.2	14 13 7	34
Fig 8 A	7.2.2.1 9.2.3.4 9.9.3.6 9.1.3.4	6 9 14 8	37
Fig 9 B	7.2.4.3 9.10.8.4 9.1.3.6 9.1.3.5 9.1.3.7	6 15 10 9 11	51
Fig 10 G	6.2.2.4 9.2.1.4 9.1.5.3	17 13 6	36
Fig 11 Add.	5.2.1.1 9.1.5.1	17 2	12
Fig 12 D	8.4.14.1 9.1.2.2 9.10.2.2 9.1.4.6	12 6 15 10	43
Total K = 403			

A/C: _____
FREE PROGRAM CHECK BY: _____ (signature/date)