

# NOTE DOWNWIND ENTRY

INTERNATIONAL AEROBATIC CLUB SCORESHEET										
A	Contest:				Date:	Category:	Programme:	pilot's number		
	Nationals				2021	Unlimited	Unknown2			
No	Symbol	Cat. No.	K	Total K	Grade	Remarks		Item	K	Score
1		8.6.2.2 9.8.1.1 9.1.1.3 9.9.8.4 9.1.3.5 9.1.3.7	16 7 10 13 9 11	Fig A <b>66</b> SF 7				<b>Presentation</b>	<b>40</b>	
2		5.2.1.1 9.1.1.4 9.10.5.4	17 12 13	Fig C <b>42</b> SF 5				FIGURE TOTAL K =		478
3		1.2.8.1 9.4.1.2 9.1.4.6	16 9 10	Fig H <b>35</b> SF 7				INC. PRESENTATION =		518
4		5.2.1.4 9.1.1.5 9.1.5.4	22 14 8	Fig G <b>44</b> SF 5				Aircraft type:		
5		8.8.1.1 9.9.1.4 9.4.5.3 9.4.1.3	18 15 8 12	Fig D <b>53</b> SF 7				FREE PROGRAM CHECKED BY: Signature: _____ Printed Name: _____ IAC No: _____ Date: _____		
6		8.6.2.4 9.12.1.5 9.1.5.2 9.8.3.4 9.4.3.2	12 6 4 15 5	Fig J <b>42</b> SF 7						
7		7.5.5.3 9.1.3.2 9.1.2.2	15 4 6	additional <b>6</b> SF 7						
8		6.2.2.1 9.10.6.3 9.1.5.3	15 19 6	Fig F <b>40</b> SF 6						
9		5.3.1.1	18	additional <b>6</b> SF 5						
10		8.4.13.1 9.8.2.1 9.1.2.5 9.9.9.4	11 5 11 13	Fig B <b>40</b> SF 7						
11		8.4.2.2	17	additional <b>6</b> SF 7						
12		8.6.1.1 9.2.1.4 9.4.3.4 9.1.3.2 9.1.3.6	11 13 11 4 10	Fig I <b>49</b> SF 7						
13		8.5.4.1 9.1.2.2 9.1.3.2	11 6 4	additional <b>6</b> SF 7						
14		7.2.2.2 9.1.3.3 9.4.3.3 9.10.3.4 9.8.3.2	9 6 8 13 7	Fig E <b>43</b> SF 7						

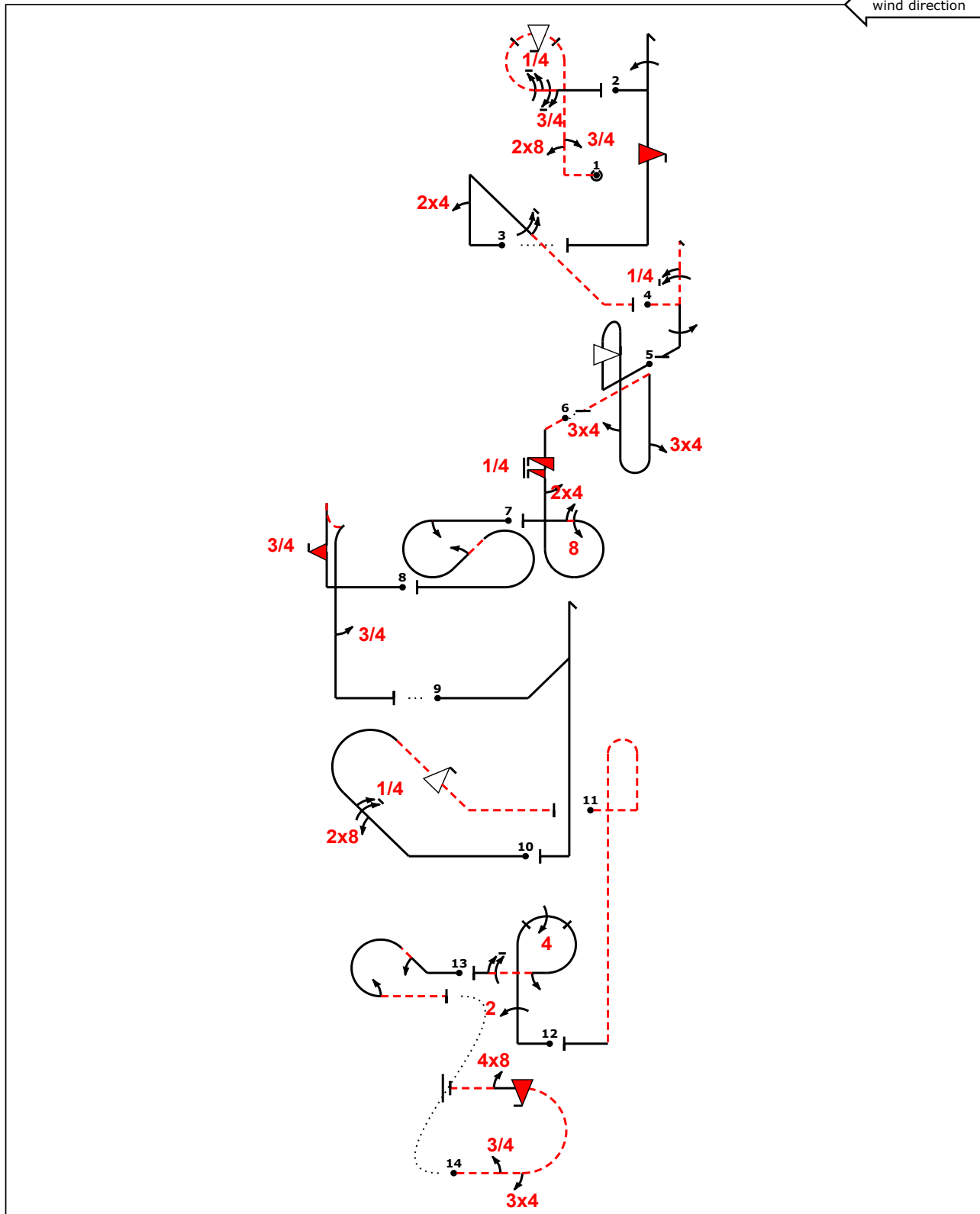
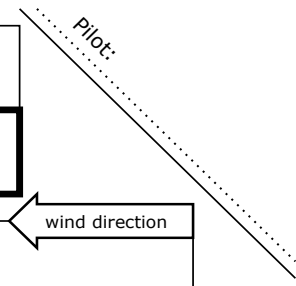


\_\_\_\_\_ Pilot  
 \_\_\_\_\_ A/C

# NOTE DOWNWIND ENTRY



<b>B</b>	Contest:	Nationals	Category:	Unlimited
	Date:	2021	Program:	Unknown2
			Pilot's No.	



A/C: .....

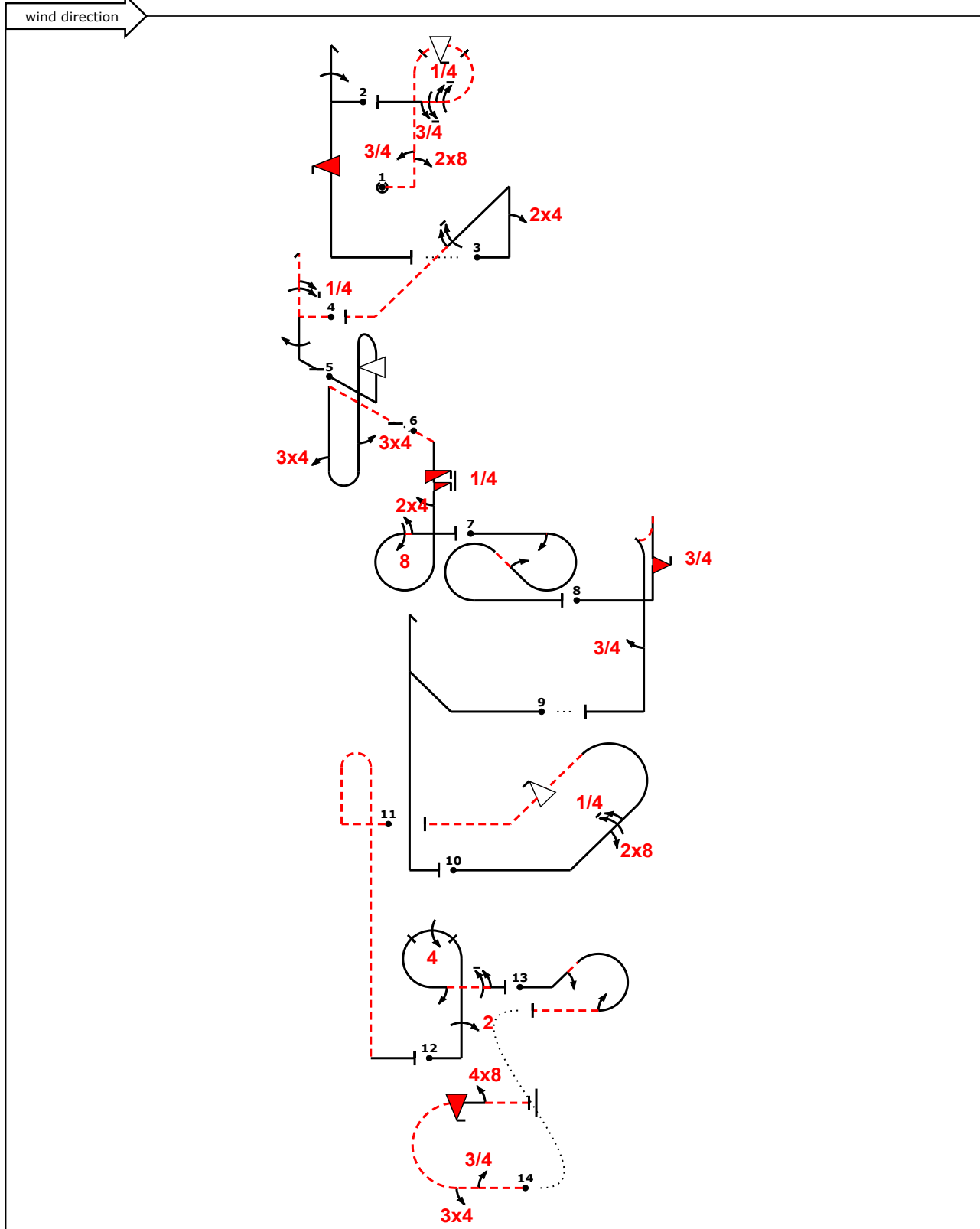
FREE PROGRAM CHECK BY: (signature/date) .....

# NOTE DOWNWIND ENTRY



<b>C</b>	Contest:	Nationals	Category:	Unlimited
	Date:	2021	Program:	Unknown2
			Pilot's No.	

Pilot: .....



A/C: .....

(signature/date) .....

FREE PROGRAM CHECK BY: .....