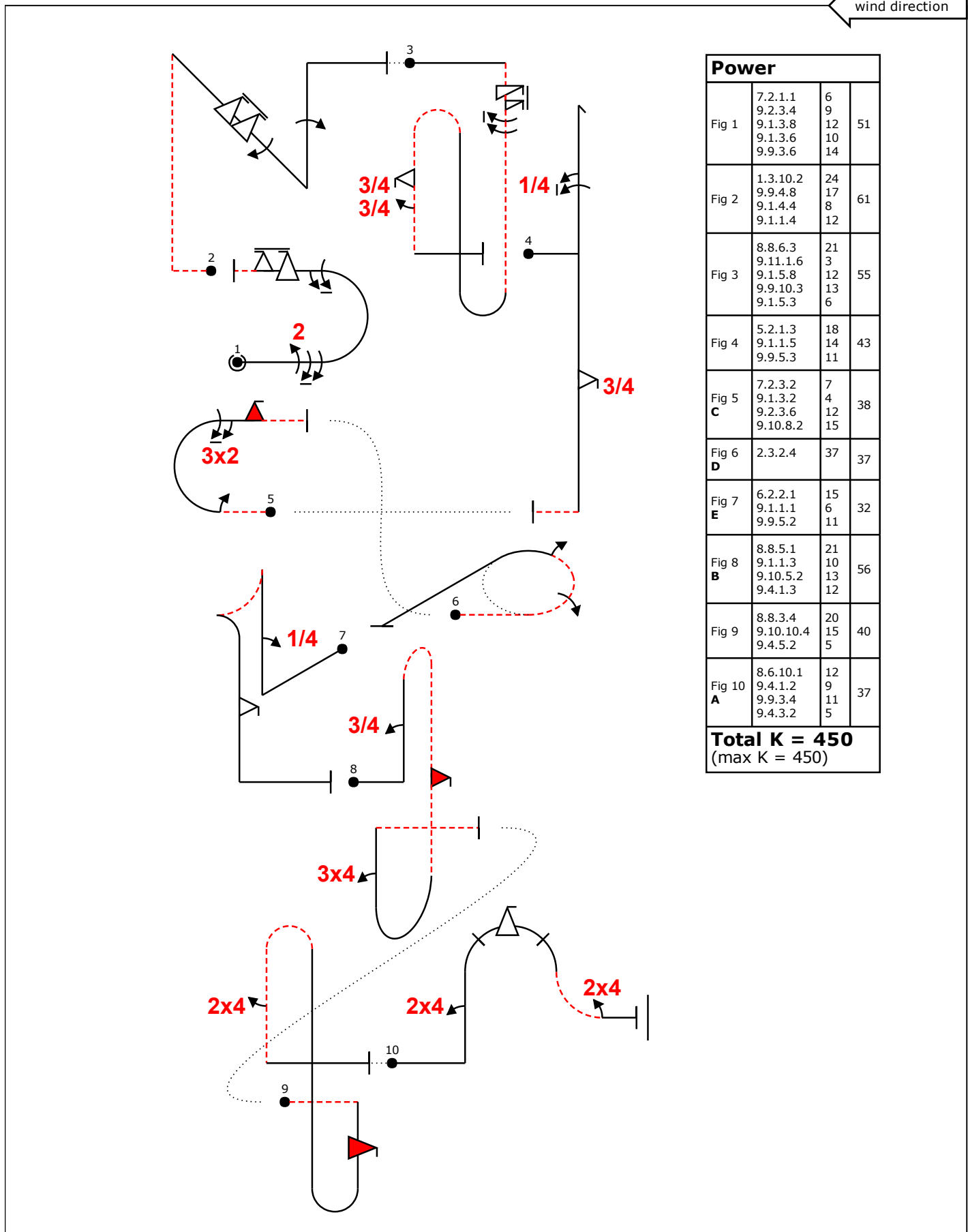




B	Contest:	U.S. National Championships		Category:	Unlimited
	Date:	2016	Program:	Free Known	Pilot's No.

Pilot: Mike Galloway



Power			
Fig 1	7.2.1.1	6	51
	9.2.3.4	9	
	9.1.3.8	12	
	9.1.3.6	10	
	9.9.3.6	14	
Fig 2	1.3.10.2	24	61
	9.9.4.8	17	
	9.1.4.4	8	
	9.1.1.4	12	
Fig 3	8.8.6.3	21	55
	9.11.1.6	3	
	9.1.5.8	12	
	9.9.10.3	13	
	9.1.5.3	6	
Fig 4	5.2.1.3	18	43
	9.1.1.5	14	
	9.9.5.3	11	
Fig 5 C	7.2.3.2	7	38
	9.1.3.2	4	
	9.2.3.6	12	
	9.10.8.2	15	
Fig 6 D	2.3.2.4	37	37
Fig 7 E	6.2.2.1	15	32
	9.1.1.1	6	
	9.9.5.2	11	
Fig 8 B	8.8.5.1	21	56
	9.1.1.3	10	
	9.10.5.2	13	
	9.4.1.3	12	
Fig 9	8.8.3.4	20	40
	9.10.10.4	15	
	9.4.5.2	5	
Fig 10 A	8.6.10.1	12	37
	9.4.1.2	9	
	9.9.3.4	11	
	9.4.3.2	5	
Total K = 450 (max K = 450)			

A/C: Extra 300/S

FREE PROGRAM CHECK BY: (signature/date)

FREE PROGRAM CHECK BY: