



<b>B</b>	Contest: <b>U.S. NATIONAL CHAMPIONSHIPS</b>	Category: <b>Intermediate</b>	
	Date: <b>2016</b>	Program: <b>Unknown</b>	Pilot's No. <input type="text"/>

wind direction

Pilot  
NAC

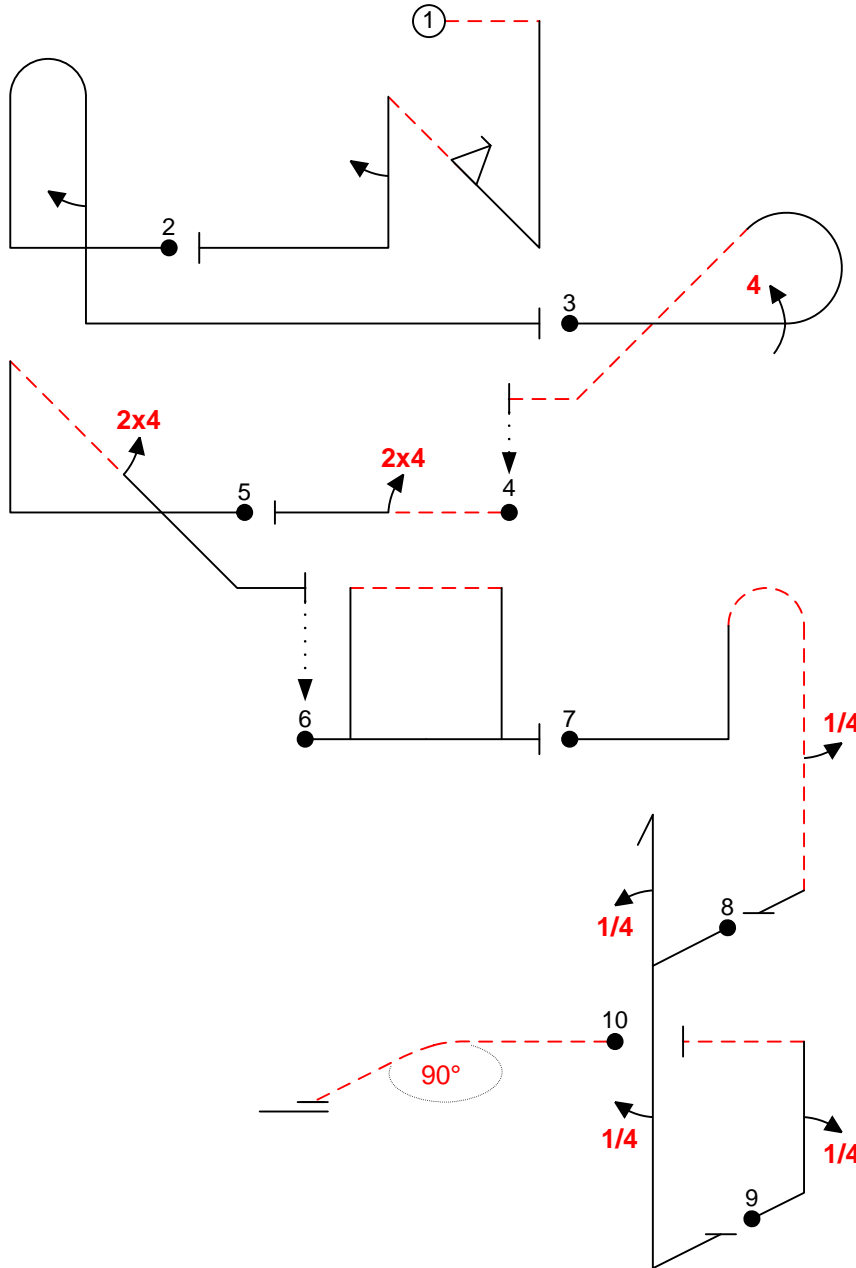


Fig 1 SF7	1.3.11.4 9.9.2.2 9.1.5.2	20 13 4	37
Fig 2 SF7	8.4.1.1 9.1.5.2	13 4	17
Fig 3 SF7	8.5.5.1 9.4.3.4	10 11	21
Fig 4 SF7	1.1.1.4 9.4.3.2	2 5	7
Fig 5 SF7	1.2.7.1 9.4.4.2	13 5	18
Fig 6 SF7	7.4.3.1	14	14
Fig 7 SF7	8.4.3.1 9.1.5.1	15 2	17
Fig 8 SF5	5.2.1.1 9.1.1.1 9.1.5.1	17 6 2	25
Fig 9 SF7	1.1.7.1 9.1.1.1	9 6	15
Fig 10 SF2	2.1.1.2	4	4
Total K 175			

A/C:

(signature/date)

FREE PROGRAM CHECK BY: