

INTERNATIONAL AEROBATIC CLUB SCORESHEET - GLIDERS

A	Contest:	Date:	Category:	Program:	pilot's number	
		2018	Intermediate Glider	Known		

No	Symbol	Catalogue No.	K	Total K	Grade	Remarks	Item	K	Score
1		1.1.1.1 9.1.3.4	2 12	14			Presentation	15	
2		0.1	16	16					
3		5.2.1.1	17	17					
4		2.1.1.1	3	3					
5		8.4.1.1	13	13					
6		1.2.7.1 9.1.4.2	13 6	19					
7		1.1.1.1 9.2.3.4	2 14	16					
8		2.1.3.1	19	19					

FIGURE TOTAL K = **117**

INCLUDING PRESENTATION = **132**

Glider Type:

FREE PROGRAM CHECKED BY:

Signature:	Printed Name:	Date:
		IAC No.

Judge Name:

IAC#

Assistant Name:

IAC#



pilot NAC

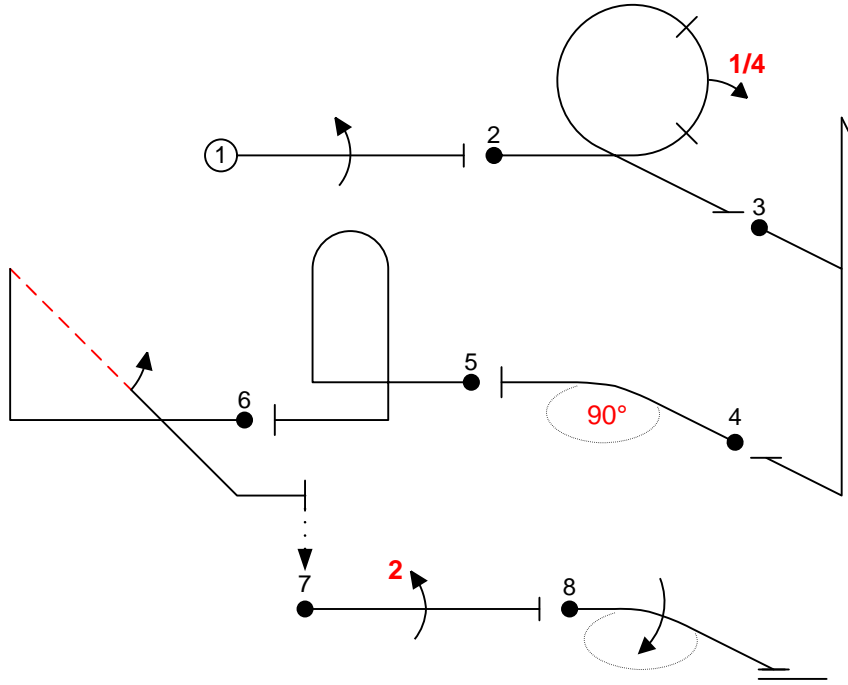


B	Contest:	Category: Intermediate Glider	
	Date: 2018	Program: Known	Pilot's No. <input type="text"/>

wind direction

pilot

NAC



Glider

GLIDER FREE PROGRAM CHECK BY: (signature/date)

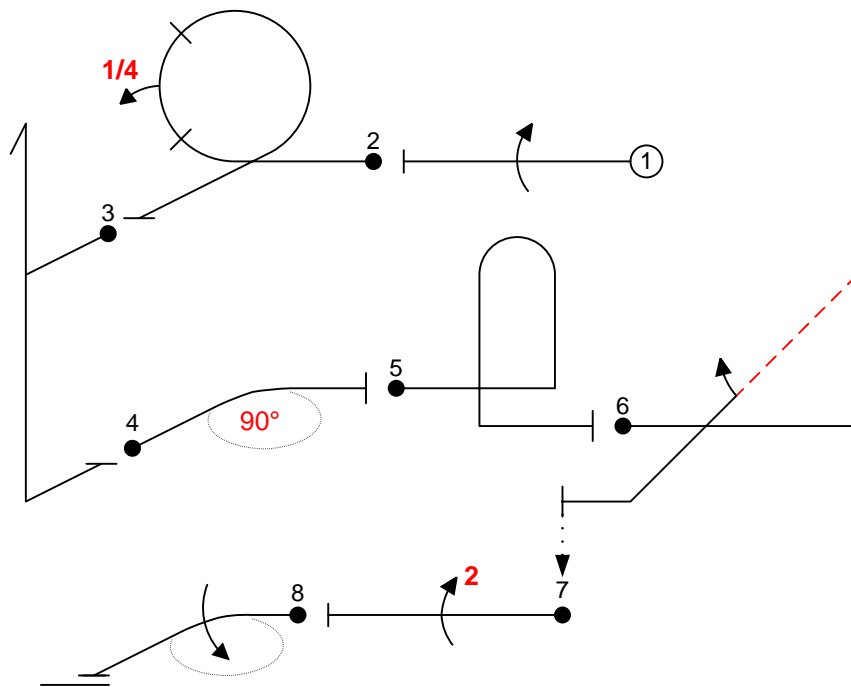


C	Contest:	Category: Intermediate Glider	
	Date: 2018	Program: Known	Pilot's No. <input type="text"/>

pilot

NAC

wind direction



Glider

(signature/date)

GLIDER FREE PROGRAM CHECK BY: