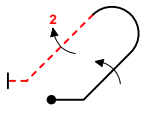
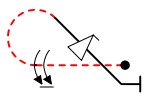
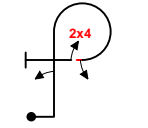
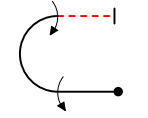
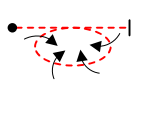
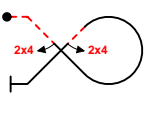
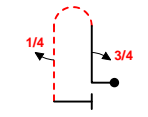
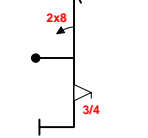
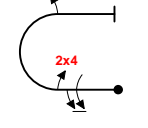
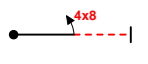


INTERNATIONAL AEROBATIC CLUB SCORESHEET

A

Contest:	Date:	Category: Advanced	Programme: Unknown	pilot's number	
----------	-------	------------------------------	------------------------------	----------------	--

No	Symbol	Catalogue No.	K	Total K	Grade	Remarks
1		8.4.13.1 9.1.2.4 9.2.4.4	11 10 9	30		
2		8.5.5.2 9.1.3.8 9.9.4.4	12 12 11	35		
3		8.6.1.1 9.1.1.2 9.1.3.2 9.4.3.2	11 8 4 5	28		
4		7.2.1.1 9.1.3.4 9.1.3.4	6 8 8	22		
5		2.4.7.2	39	39		
6		7.3.4.4 9.4.4.2 9.4.4.2	15 5 5	25		
7		8.4.3.1 9.1.1.3 9.1.5.1	15 10 2	27		
8		5.2.1.1 9.8.1.1 9.9.5.3	17 7 11	35		
9		7.2.2.1 9.1.3.6 9.4.3.2 9.1.3.2	6 10 5 4	25		
10		1.1.1.3 9.8.3.2	2 7	9		

Item	K	Score
Presentation	12	

FIGURE TOTAL K = 275

INCLUDING PRESENTATION = 287

Aircraft Type:

FREE PROGRAM CHECKED BY:

Signature:	Printed Name:	Date:
		IAC No.

Judge Name:

IAC#

Assistant Name:

IAC#



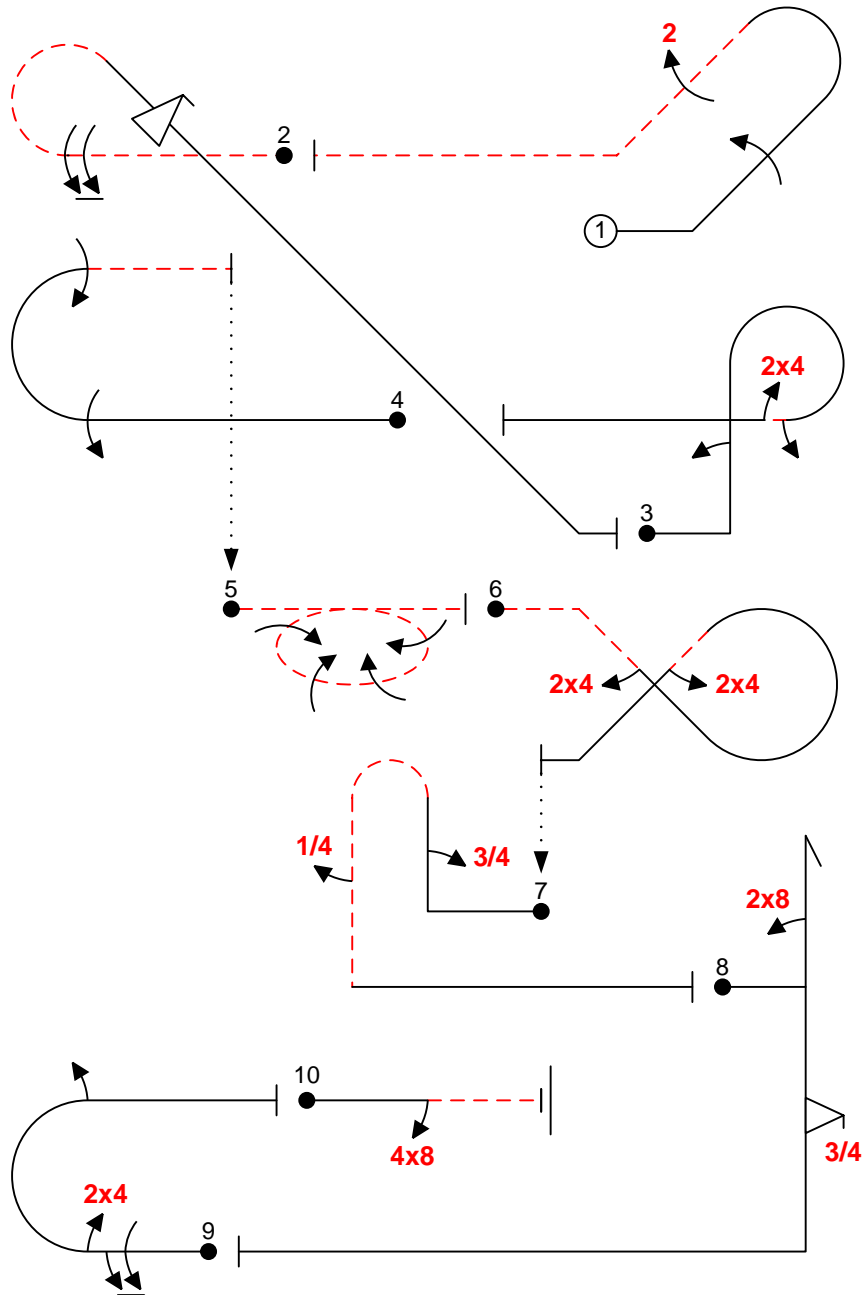
Pilot NAC



B	Contest:	Category: Advanced	
	Date:	Program: Unknown	Pilot's No. <input type="text"/>

wind direction

Pilot
NAC



A/C:

(signature/date)

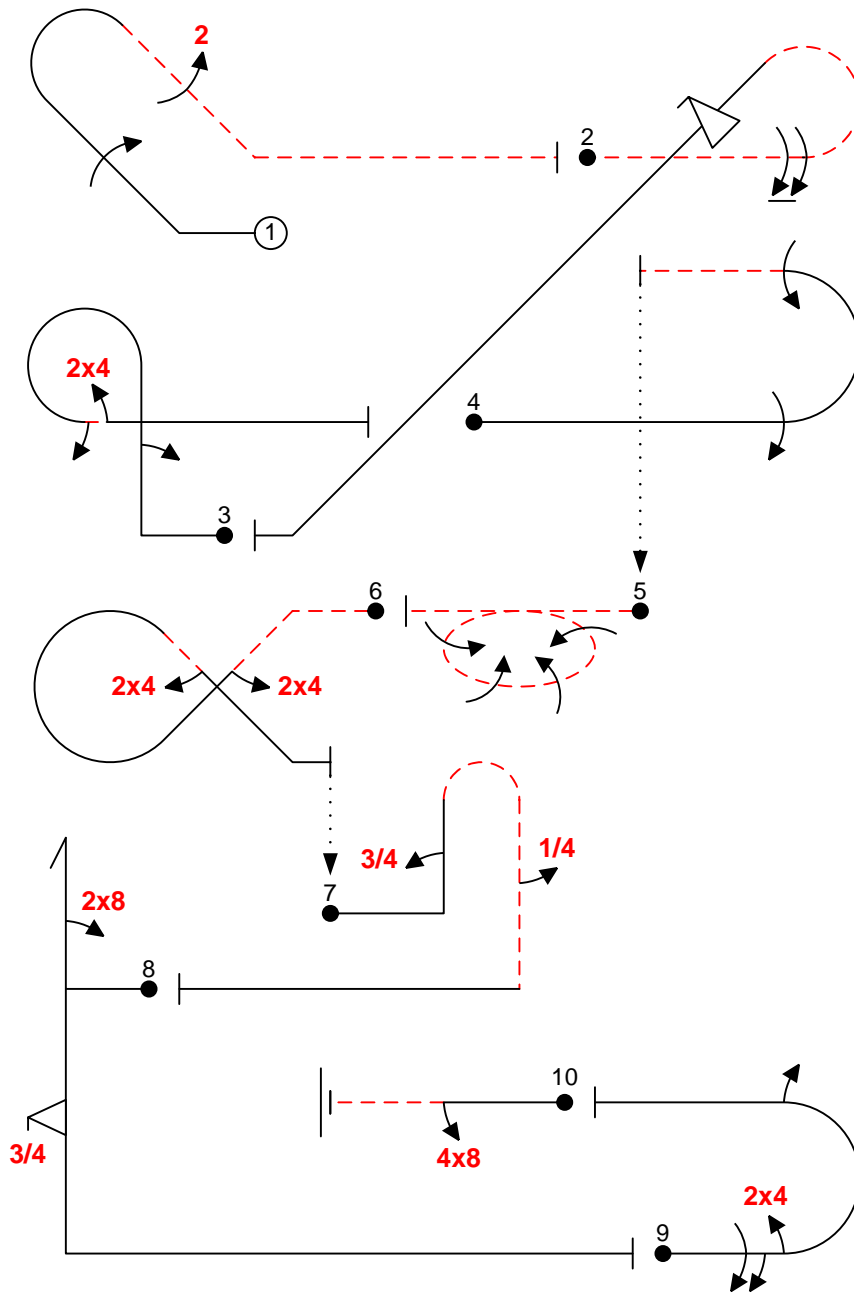
FREE PROGRAM CHECK BY:



C	Contest:	Category: Advanced	
	Date:	Program: Unknown	Pilot's No. <input type="text"/>

pilot
NAC

wind direction



Created Using Aresti 2013™ software. ACCassidy@aol.com

A/C:

(signature/date)

FREE PROGRAM CHECK BY: