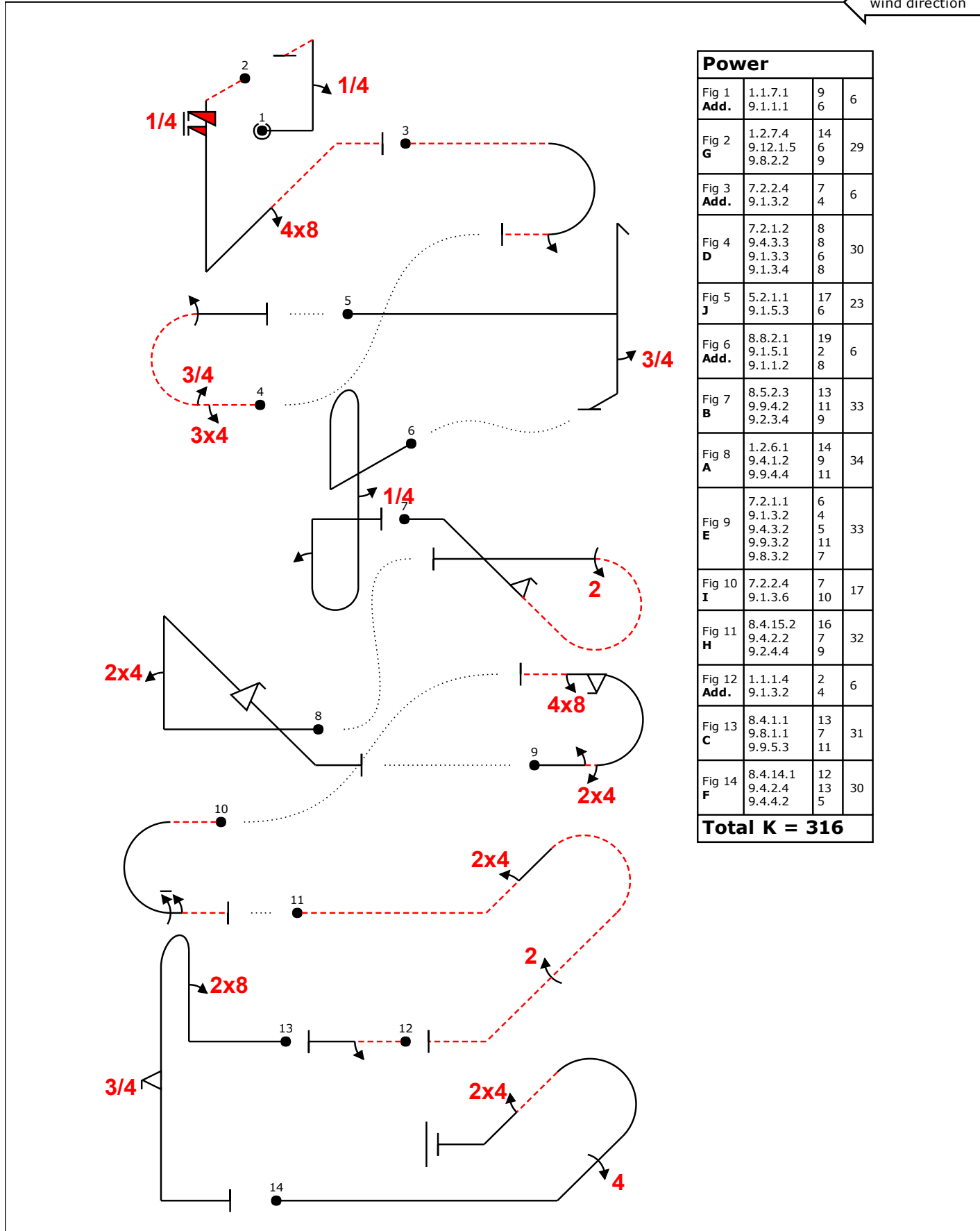




B	Contest:	U.S. National Championships	Category:	Advanced
	Date:	2016	Program:	Unknown3
			Pilot's No.:	

Pilot: FREE UNKNOWN 'G'



Power			
Fig 1	1.1.7.1	9	6
<b>Add.</b>	9.1.1.1	6	
Fig 2	1.2.7.4	14	29
<b>G</b>	9.12.1.5	6	
	9.8.2.2	9	
Fig 3	7.2.2.4	7	6
<b>Add.</b>	9.1.3.2	4	
Fig 4	7.2.1.2	8	30
<b>D</b>	9.4.3.3	8	
	9.1.3.3	6	
	9.1.3.4	8	
Fig 5	5.2.1.1	17	23
<b>J</b>	9.1.5.3	6	
Fig 6	8.8.2.1	19	6
<b>Add.</b>	9.1.5.1	2	
	9.1.1.2	8	
Fig 7	8.5.2.3	13	33
<b>B</b>	9.9.4.2	11	
	9.2.3.4	9	
Fig 8	1.2.6.1	14	34
<b>A</b>	9.4.1.2	9	
	9.9.4.4	11	
Fig 9	7.2.1.1	6	33
<b>E</b>	9.1.3.2	4	
	9.4.3.2	5	
	9.9.3.2	11	
	9.8.3.2	7	
Fig 10	7.2.2.4	7	17
<b>I</b>	9.1.3.6	10	
Fig 11	8.4.15.2	16	32
<b>H</b>	9.4.2.2	7	
	9.2.4.4	9	
Fig 12	1.1.1.4	2	6
<b>Add.</b>	9.1.3.2	4	
Fig 13	8.4.1.1	13	31
<b>C</b>	9.8.1.1	7	
	9.9.5.3	11	
Fig 14	8.4.14.1	12	30
<b>F</b>	9.4.2.4	13	
	9.4.4.2	5	
<b>Total K = 316</b>			

A/C:

(signature/date)

FREE PROGRAM CHECK BY: