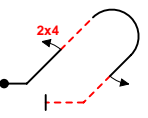
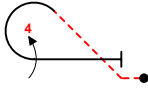
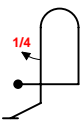

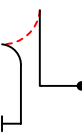
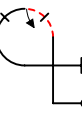
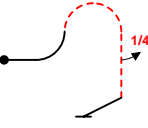


INTERNATIONAL AEROBATIC CLUB SCORESHEET - GLIDERS

A	Contest:	Date:	Category:	Program:	pilot's number	
	U.S. National Championships	2018	Advanced Glider	Unknown		

No	Symbol	Catalogue No.	K	Total K	Grade	Remarks
1		8.4.16.1 9.4.2.2 9.1.4.2	14 11 6	31		
2		8.5.1.2 9.4.3.4	10 17	27		
3		8.4.1.1 9.1.5.1	13 3	16		
4		5.2.1.1 9.1.5.1	17 3	20		
5		6.2.2.1	17	17		
6		8.6.19.1 9.1.3.2	12 6	18		
7		8.6.13.1 9.1.5.1	13 3	16		

Presentation	25	
---------------------	-----------	--

FIGURE TOTAL K = 145

INCLUDING PRESENTATION = 170

Glider Type:

FREE PROGRAM CHECKED BY:

Signature:	Printed Name:	Date:
		IAC No.:

Judge Name:

IAC#

Assistant Name:

IAC#



Pilot NAC



B	Contest: U.S. National Championships	Category: Advanced Glider
	Date: 2018	Program: Unknown

wind direction

Pilot
NAC

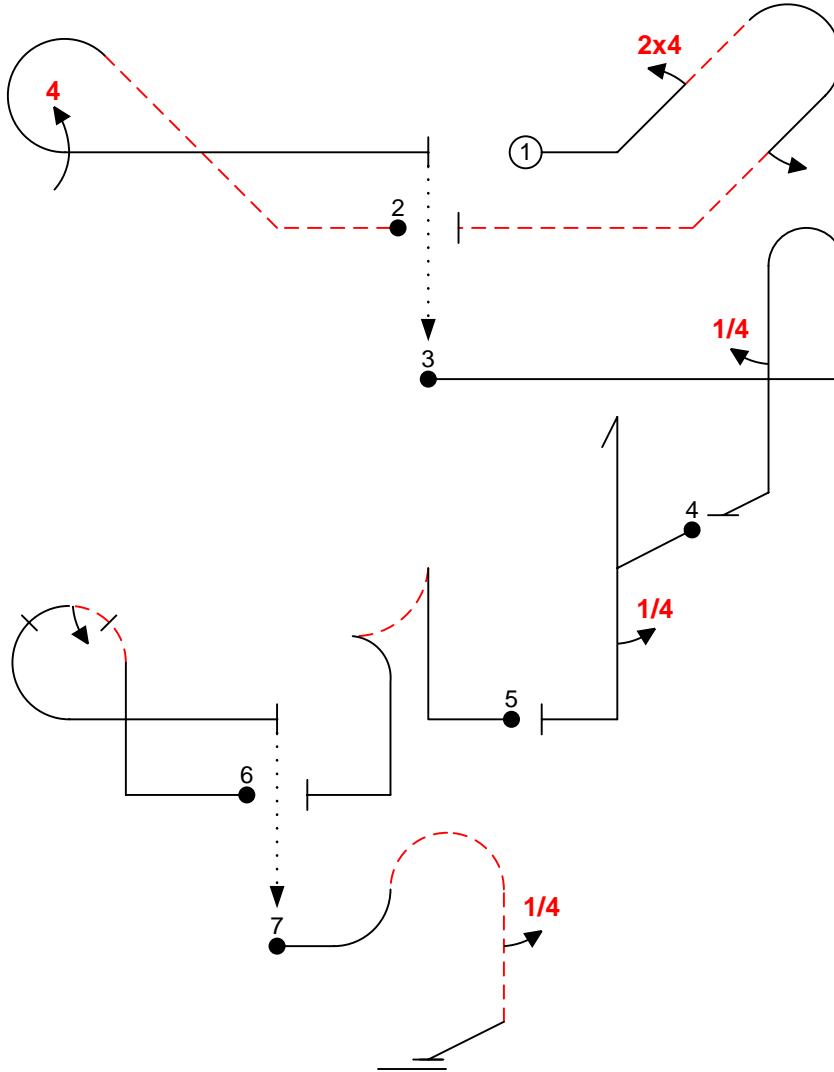


Fig 1 SF7	8.4.16.1 9.4.2.2 9.1.4.2	14 11 6	31
Fig 2 SF7	8.5.1.2 9.4.3.4	10 17	27
Fig 3 SF7	8.4.1.1 9.1.5.1	13 3	16
Fig 4 SF5	5.2.1.1 9.1.5.1	17 3	20
Fig 5 SF6	6.2.2.1	17	17
Fig 6 SF7	8.6.19.1 9.1.3.2	12 6	18
Fig 7 SF7	8.6.13.1 9.1.5.1	13 3	16
Total K 145			

Glider

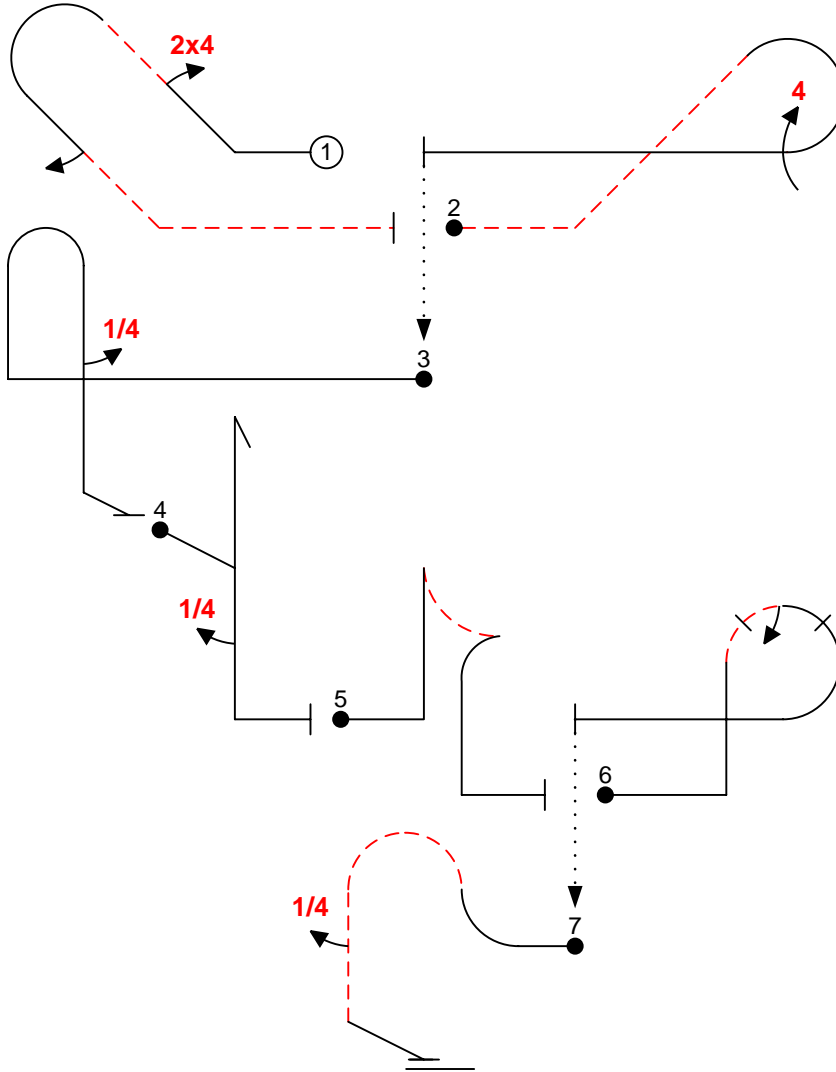
GLIDER FREE PROGRAM CHECK BY: (signature/date)



C	Contest: U.S. National Championships	Category: Advanced Glider	
	Date: 2018	Program: Unknown	Pilot's No. <input type="text"/>

Pilot
NAC

wind direction



Glider

(signature/date)

GLIDER FREE PROGRAM CHECK BY: