

INTERNATIONAL AEROBATIC CLUB SCORESHEET - GLIDERS

A	Contest:	Date:	Category:	Program:	pilot's number	
		2019	Advanced Glider	Known		

No	Symbol	Catalogue No.	K	Total K	Grade	Remarks
1		7.4.9.3 9.1.3.2	11 6	17		
2		7.2.3.3 9.1.3.2 9.4.3.2 9.1.3.2	6 6 8 6	26		
3		1.1.2.1	7	7		
4		1.1.6.3 9.11.1.5	10 6	16		
5		5.2.1.1 9.1.5.1	17 3	20		
6		8.4.1.1 9.1.1.1 9.8.5.1	13 9 5	27		
7		8.6.22.1 9.1.3.2	13 6	19		
8		1.1.1.1 9.4.3.4	2 17	19		
9		8.4.15.1 9.1.2.2	12 9	21		

Item	K	Score
Presentation	25	

FIGURE TOTAL K = 172

INCLUDING PRESENTATION = 197

Glider Type:

FREE PROGRAM CHECKED BY:

Signature:	Printed Name:	Date:
		IAC No.

Judge Name:

IAC#

Assistant Name:

IAC#



Pilot IAC

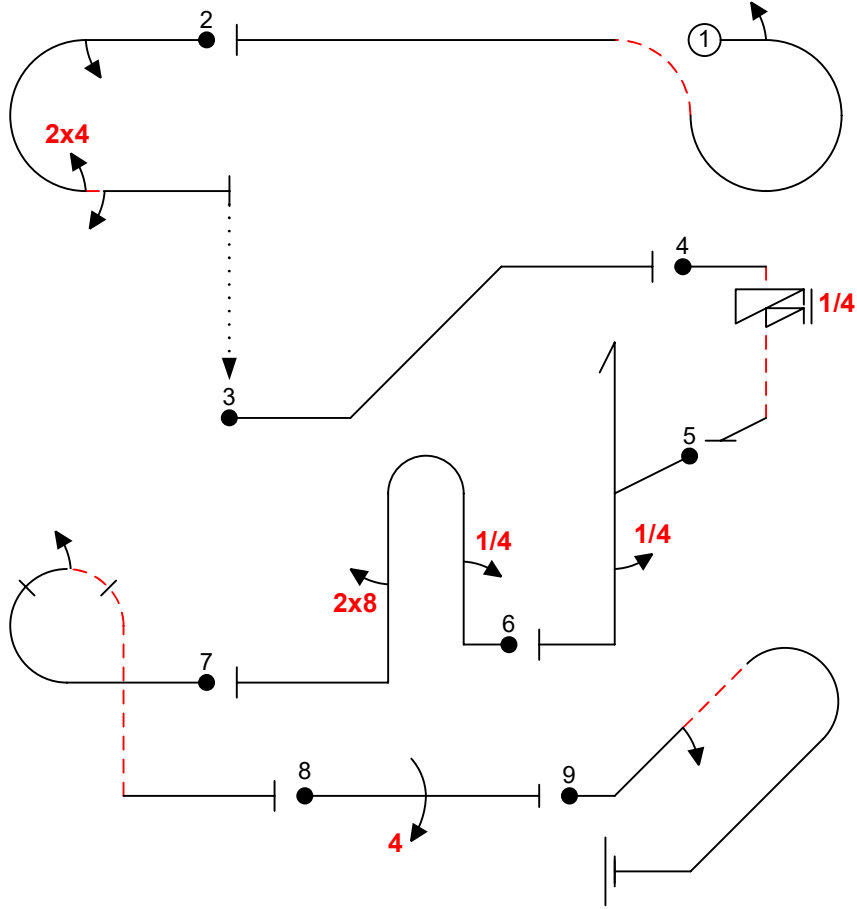


B	Contest:	Category: Advanced Glider	
	Date: 2019	Program: Known	Pilot's No. <input type="text"/>

wind direction

pilot

NAC



Glider

GLIDER FREE PROGRAM CHECK BY: (signature/date)

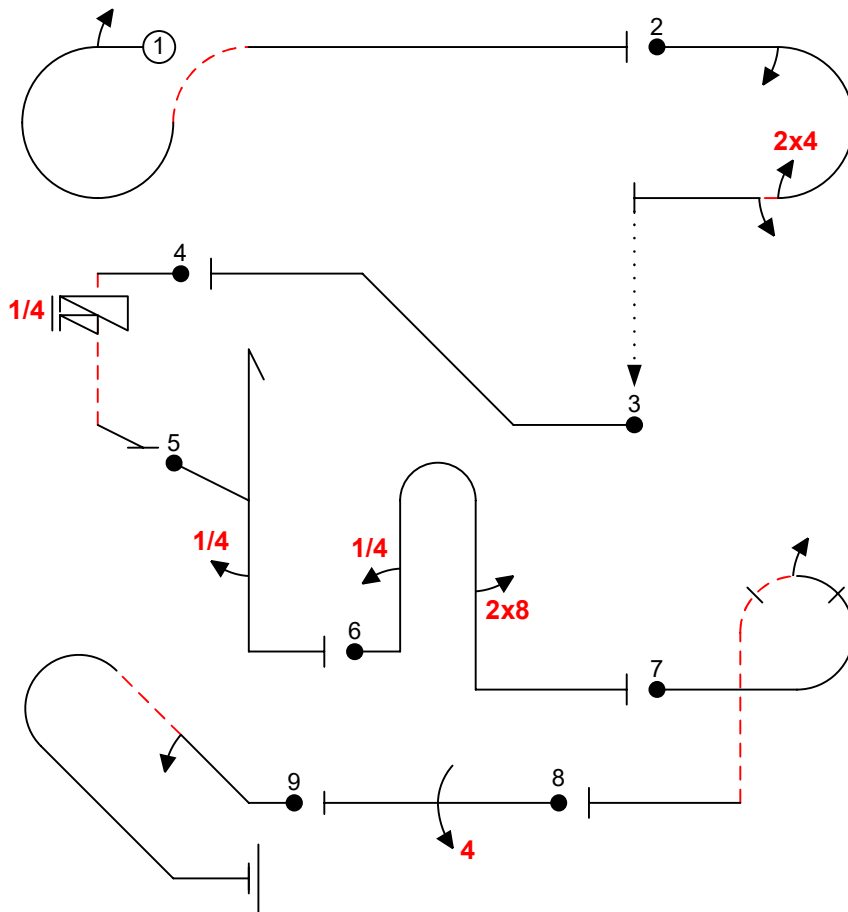


C	Contest:	Category: Advanced Glider	
	Date: 2019	Program: Known	Pilot's No. <input type="text"/>

pilot

NAC

wind direction



Glider

(signature/date)

GLIDER FREE PROGRAM CHECK BY: